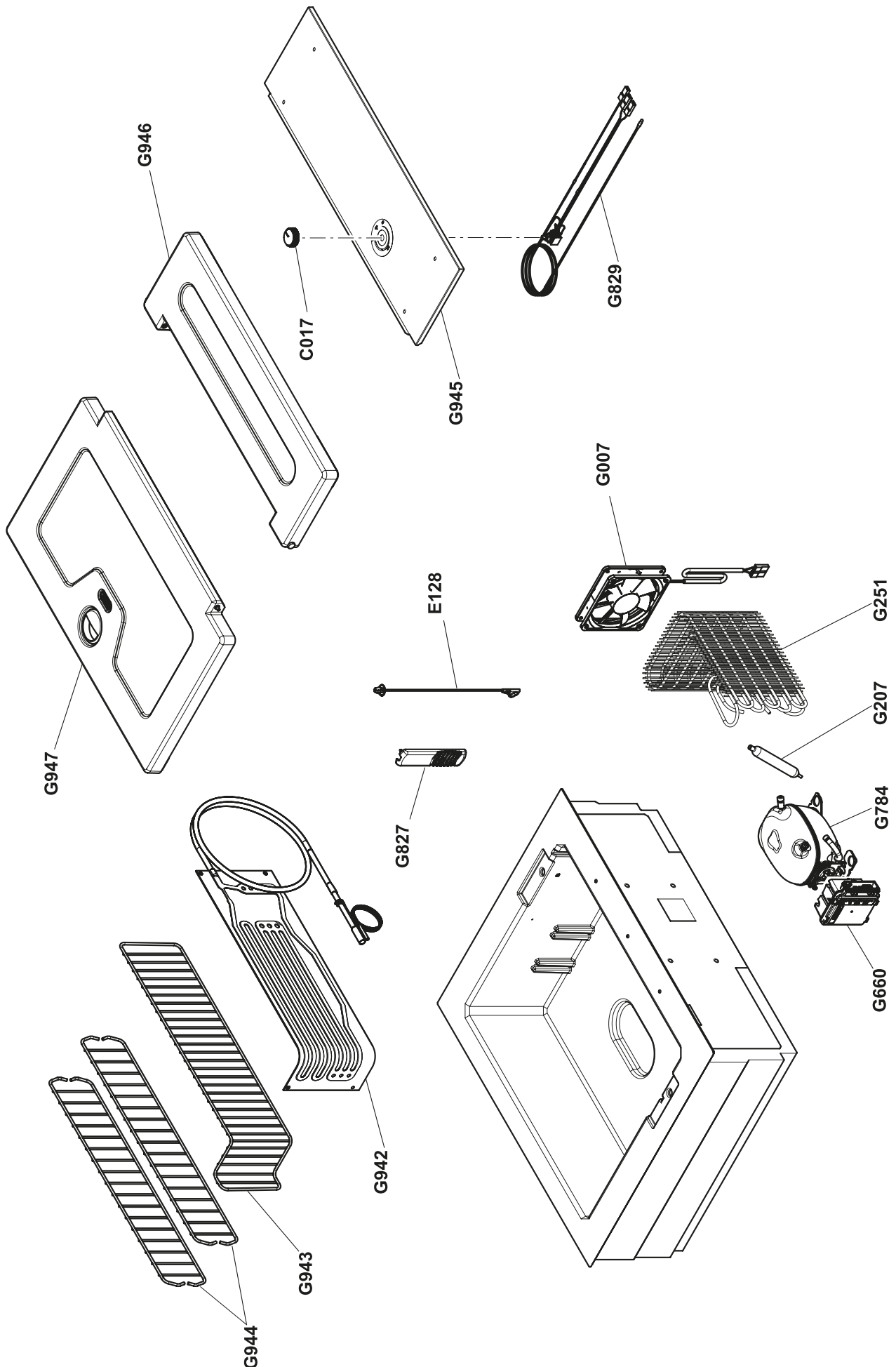


TB28AM-28AM BIG

indelB



INDEL B P/N	DESCRIPTION
C017	Thermostat Knob
E128	Lid Lanyard
G007	Fan
G207	Filter
G251	Condenser
G660	ECU
G784	Compressor
G827	Probe's Grid
G829	Potentiometer Wires + Probe
G942	Evaporator
G943	Evaporator Grid
G944	Dividing Grid
G945	Lid Lock Assembly
G946	Locked Lid
G947	Mobile Lid