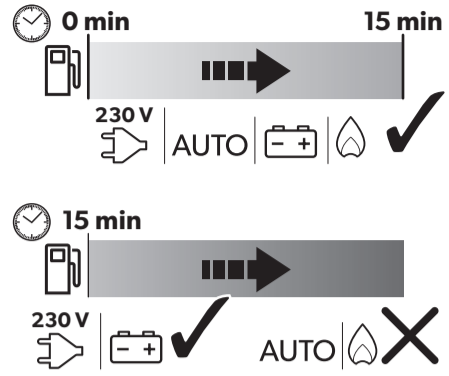
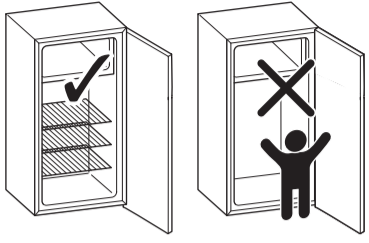


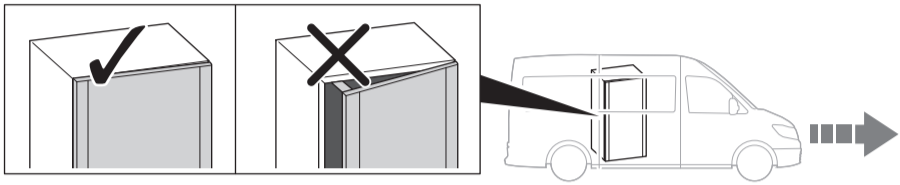
DOMETIC

RM10.5(S)(T)
RMS10.5(X)(S)(T)

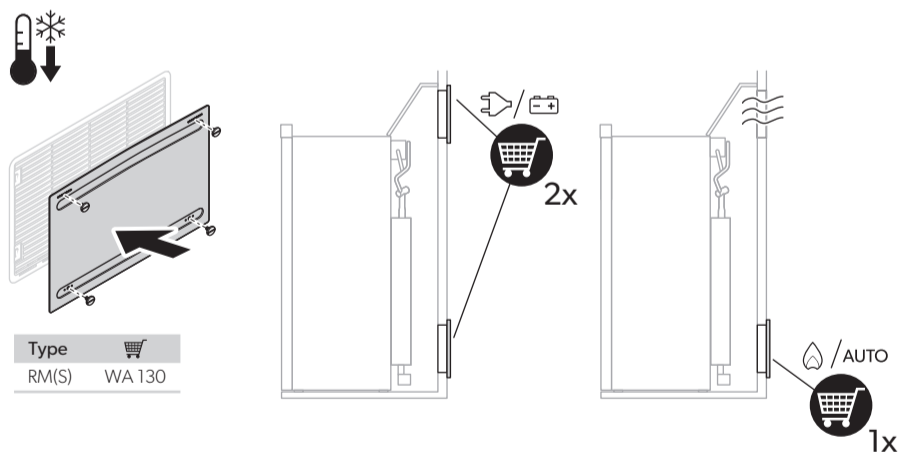
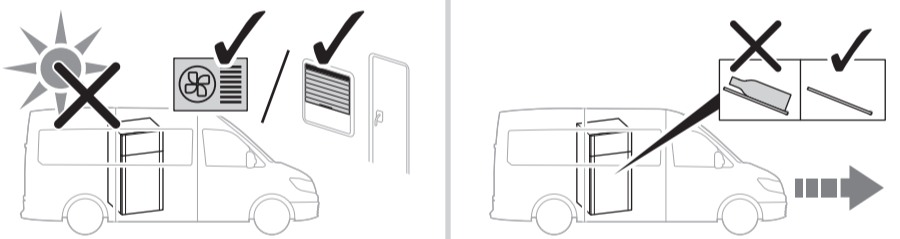
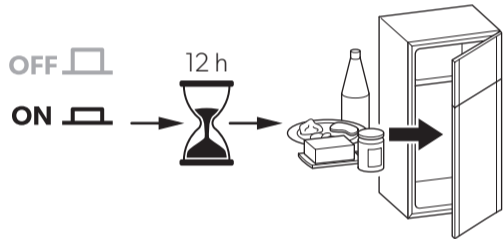
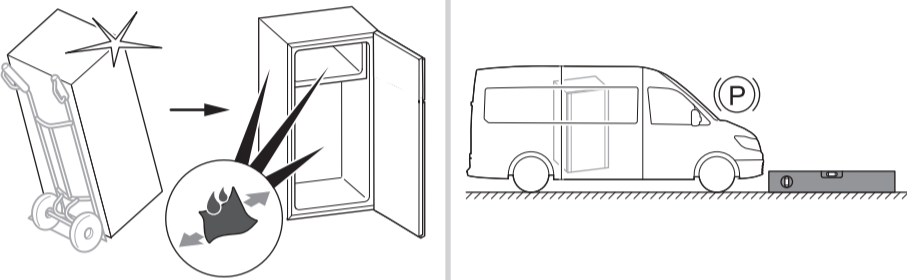
WARNING



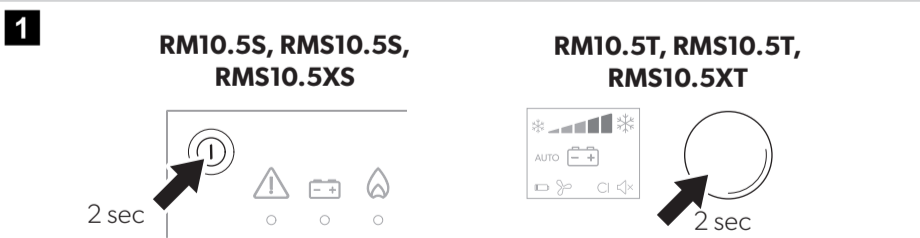
CAUTION



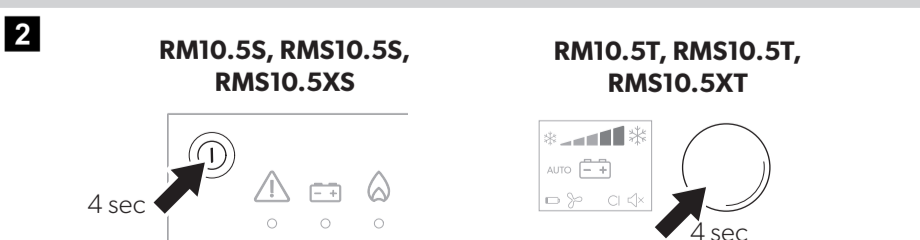
NOTICE



ON



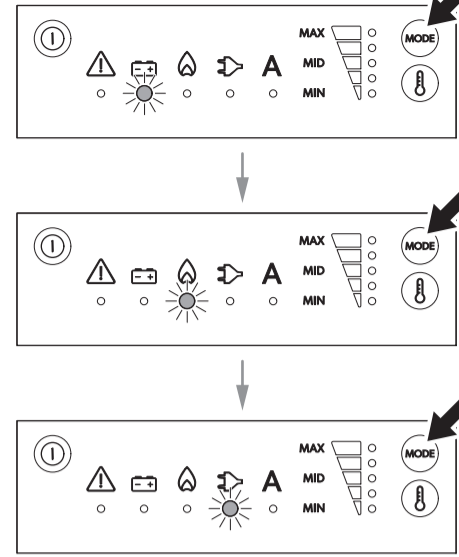
OFF



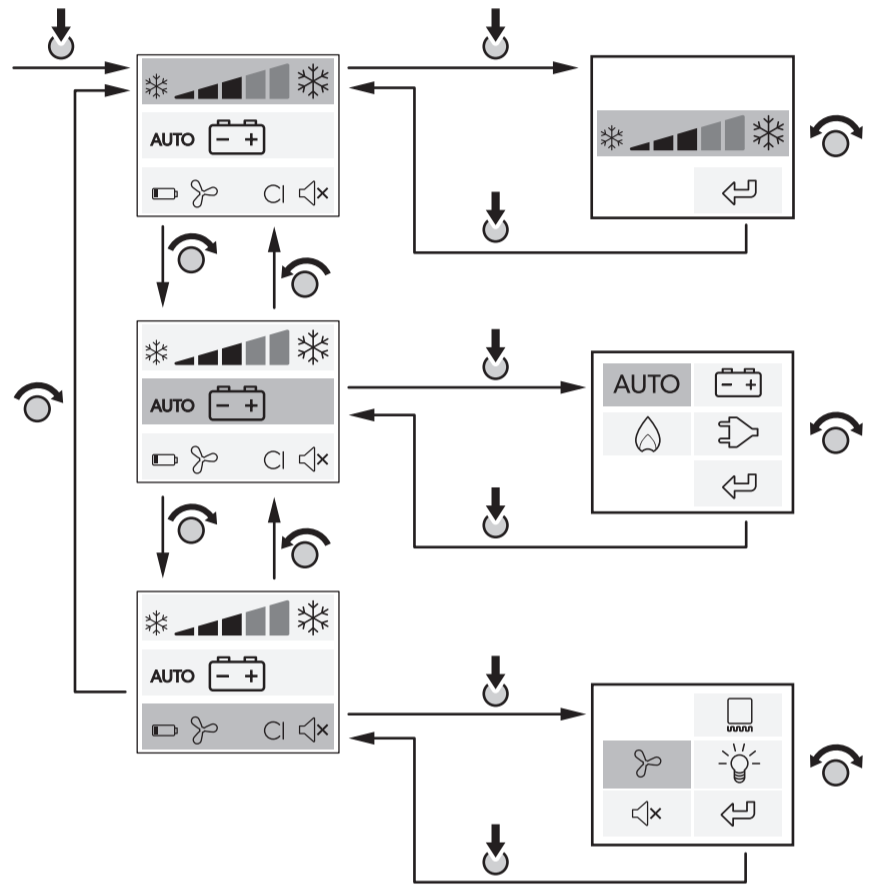
Operation

3

RM10.5S, RMS10.5S, RMS10.5XS



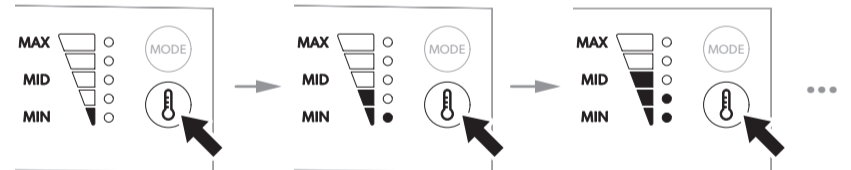
RM10.5T, RMS10.5T, RMS10.5XT



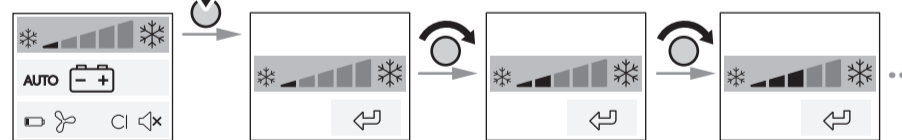
Cooling Capacity

4

RM10.5S, RMS10.5S, RMS10.5XS

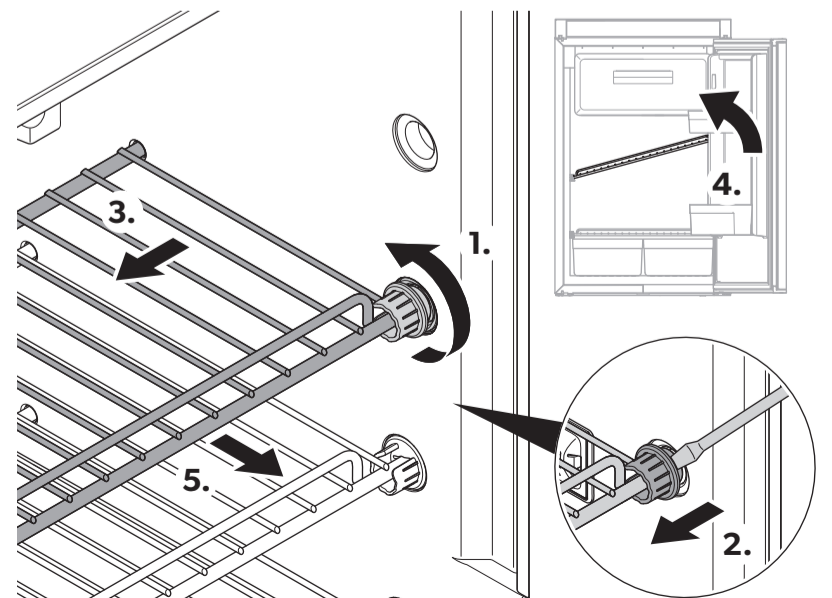


RM10.5T, RMS10.5T, RMS10.5XT



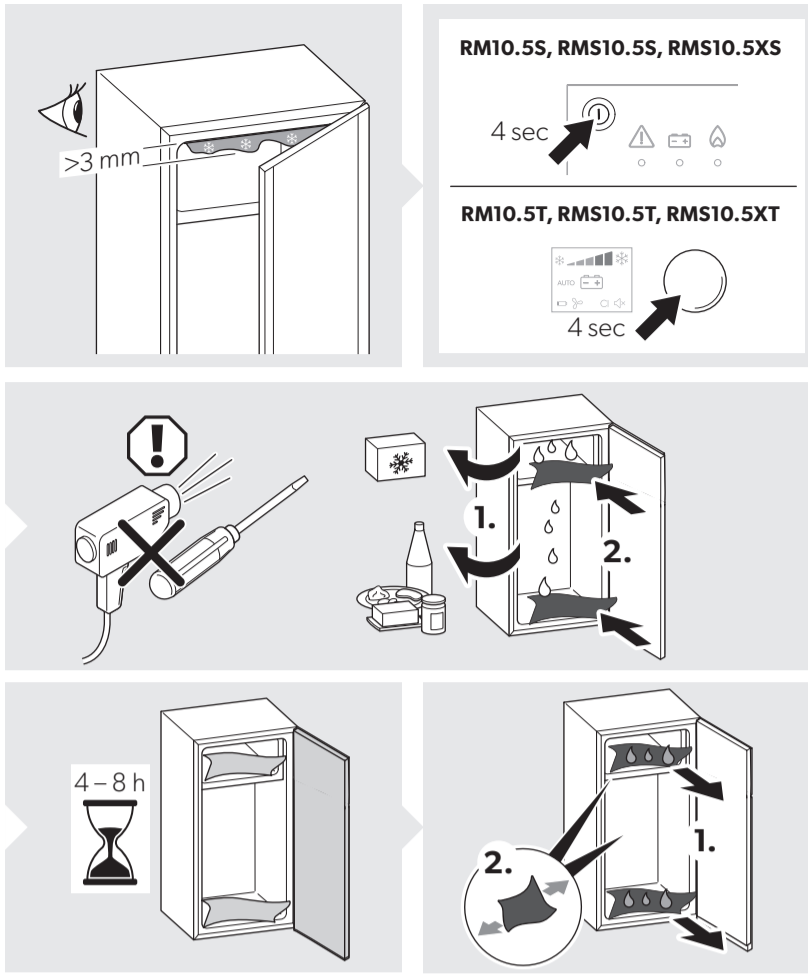
Shelves

5



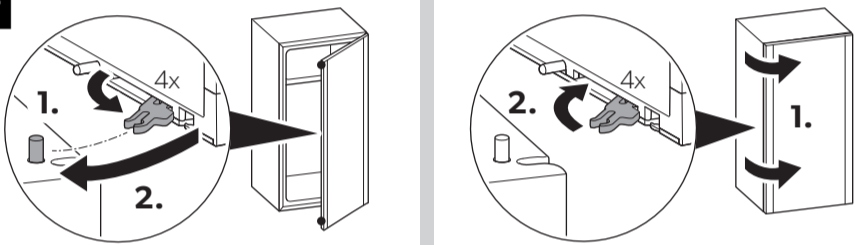
Defrost

6



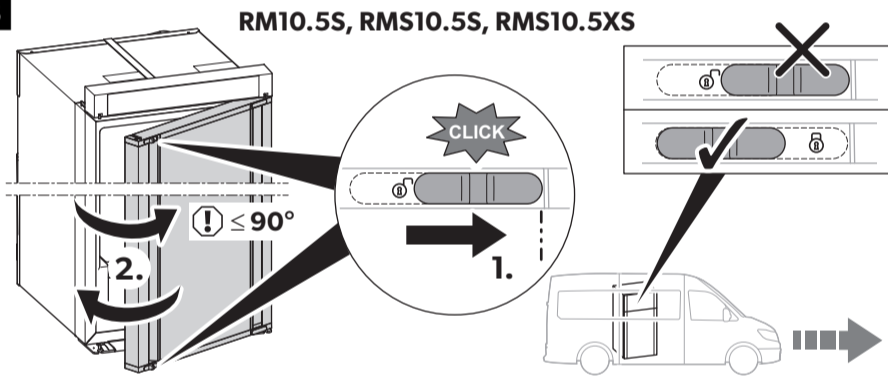
Winter

7



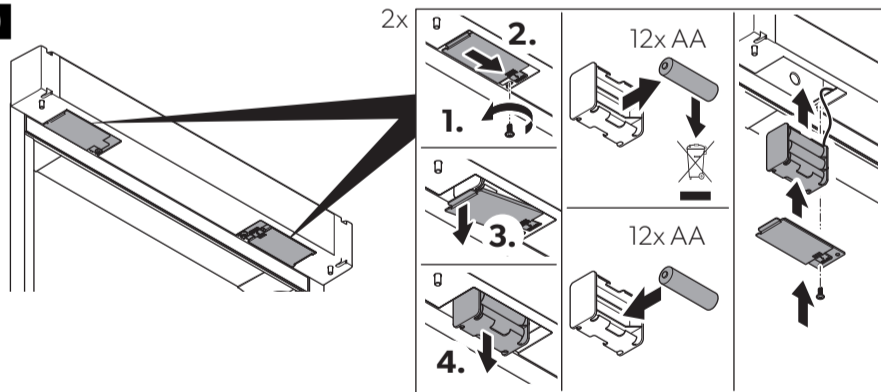
Releasing Door

8



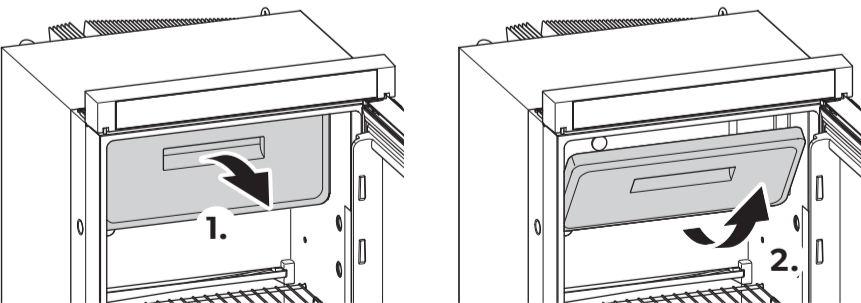
Batteries

9



Removing Freezer

10



Cleaning Gas Burner

11

