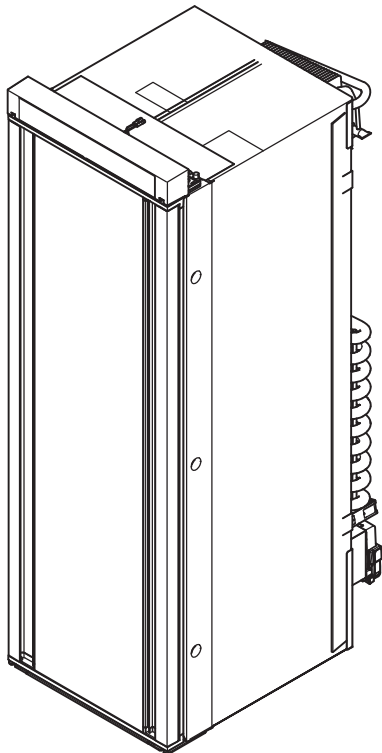


DOMETIC

REFRIGERATION

10-SERIES

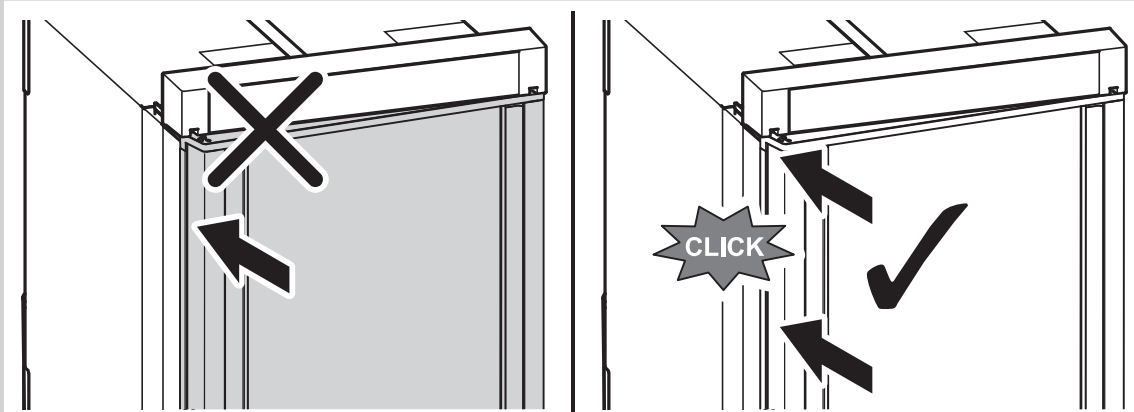
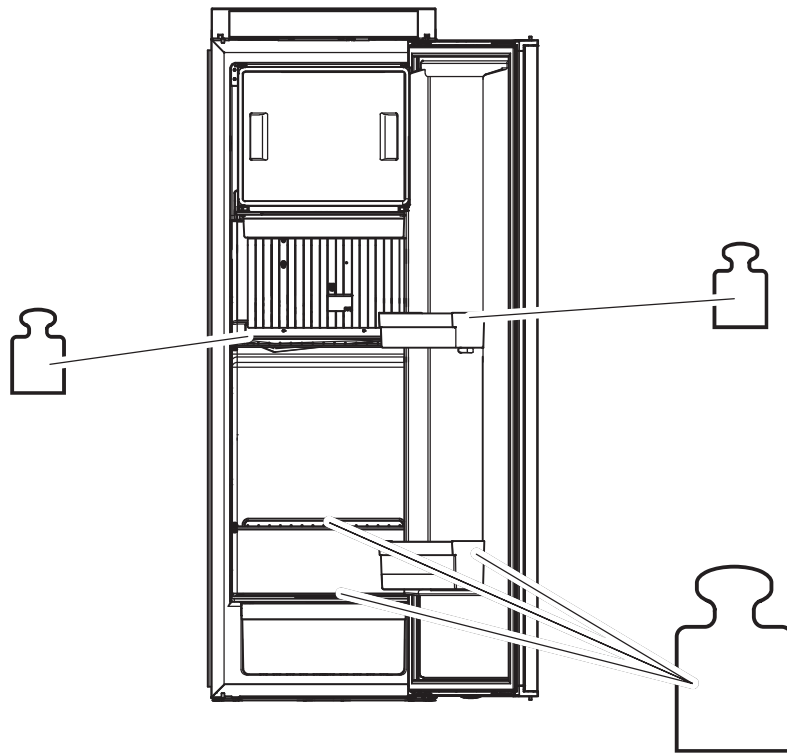
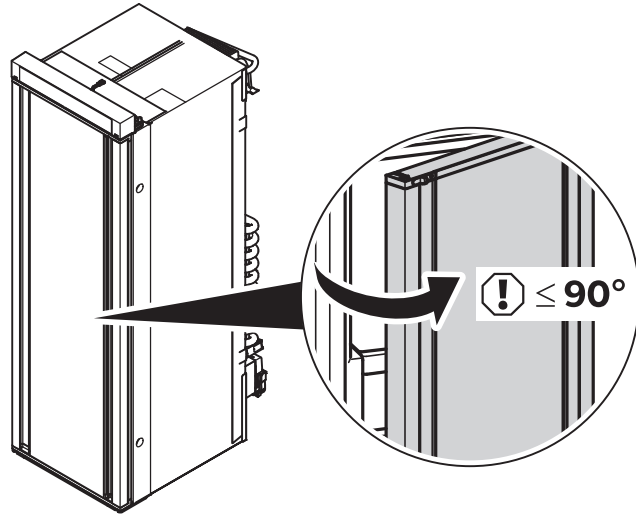


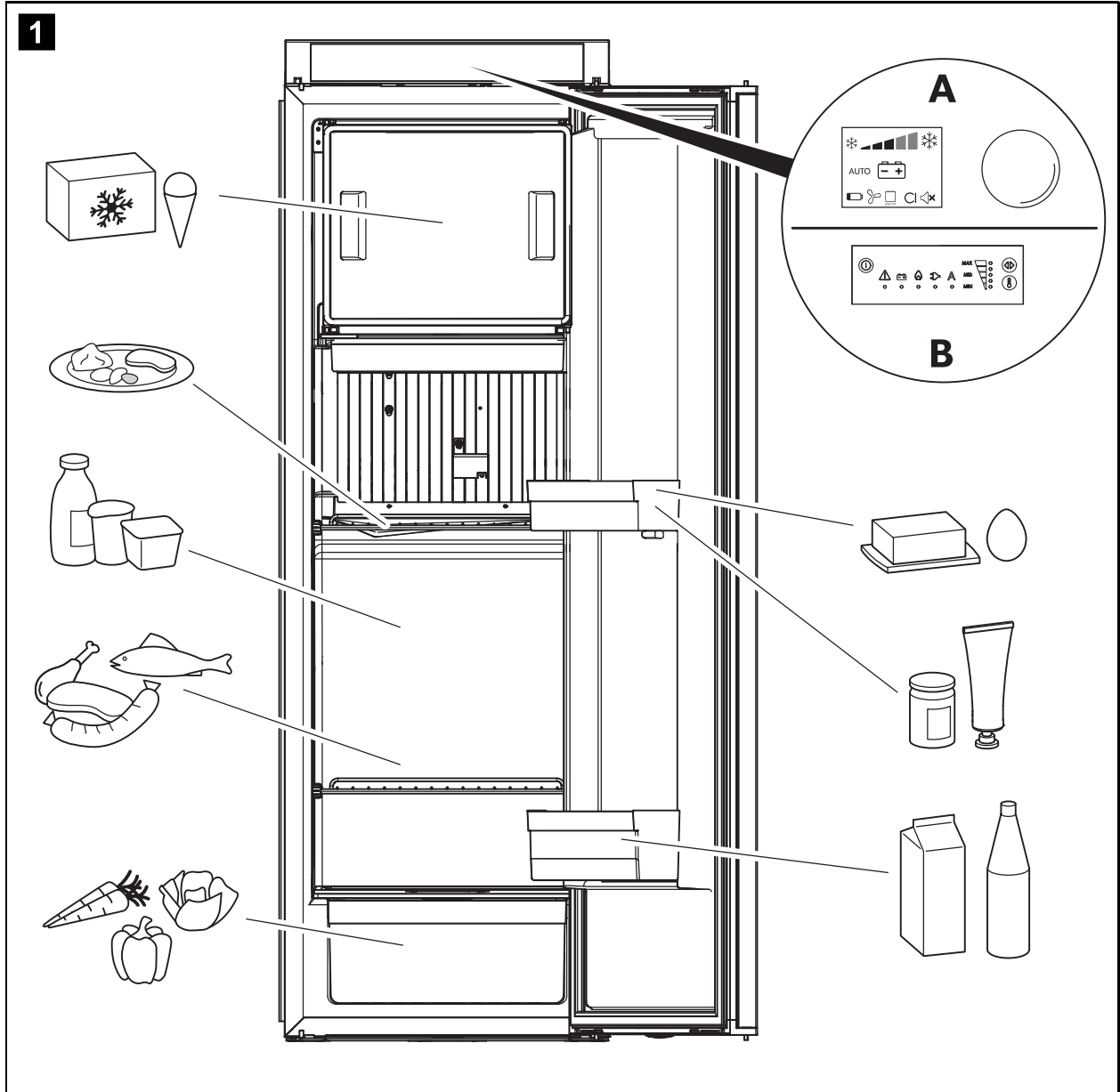
RML10.4, RML10.4S, RML10.4T

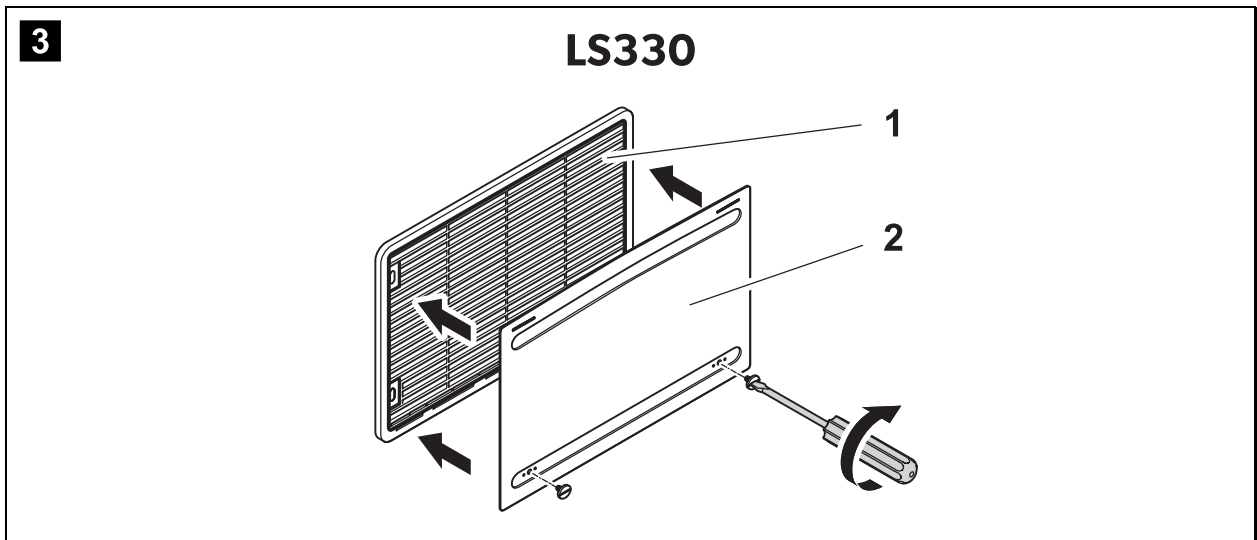
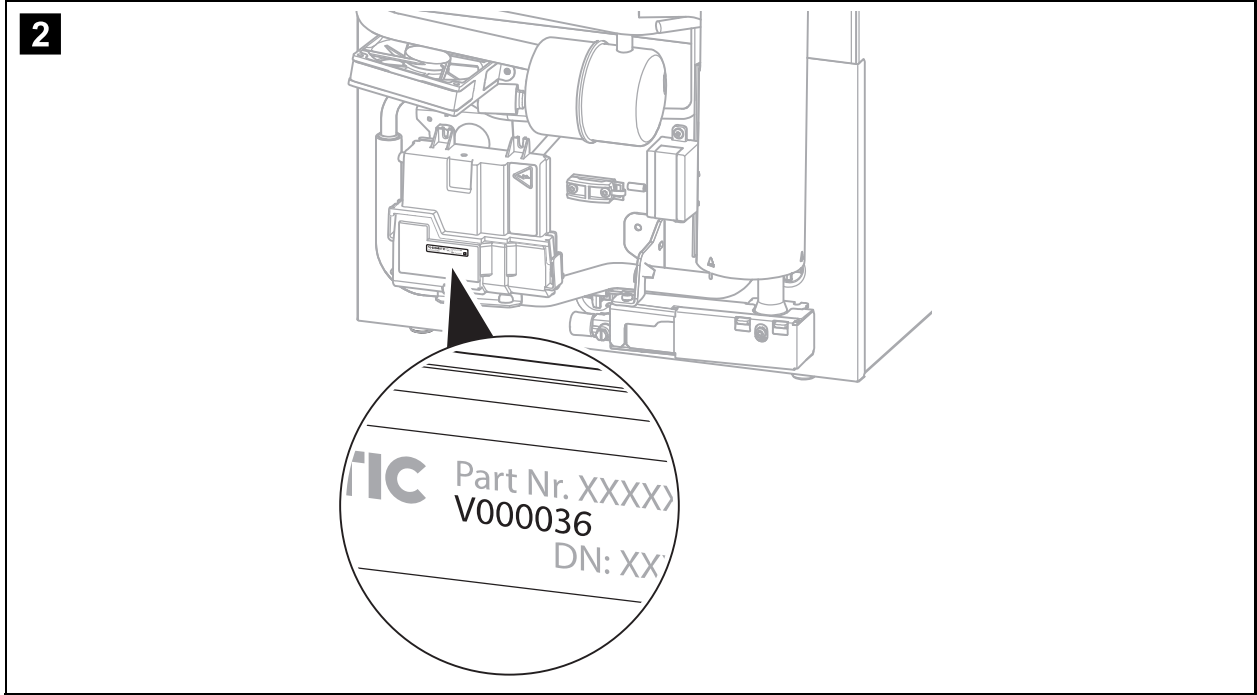
EN	Absorber refrigerator	17
DE	Absorber-Kühlschrank	41
FR	Réfrigérateur à absorption	67
NL	Absorptiekoelkast	94

© 2021 Dometic Group. The visual appearance of the contents of this manual is protected by copyright and design law. The underlying technical design and the products contained herein may be protected by design, patent or be patent pending. The trademarks mentioned in this manual belong to Dometic Sweden AB. All rights are reserved.

NOTICE

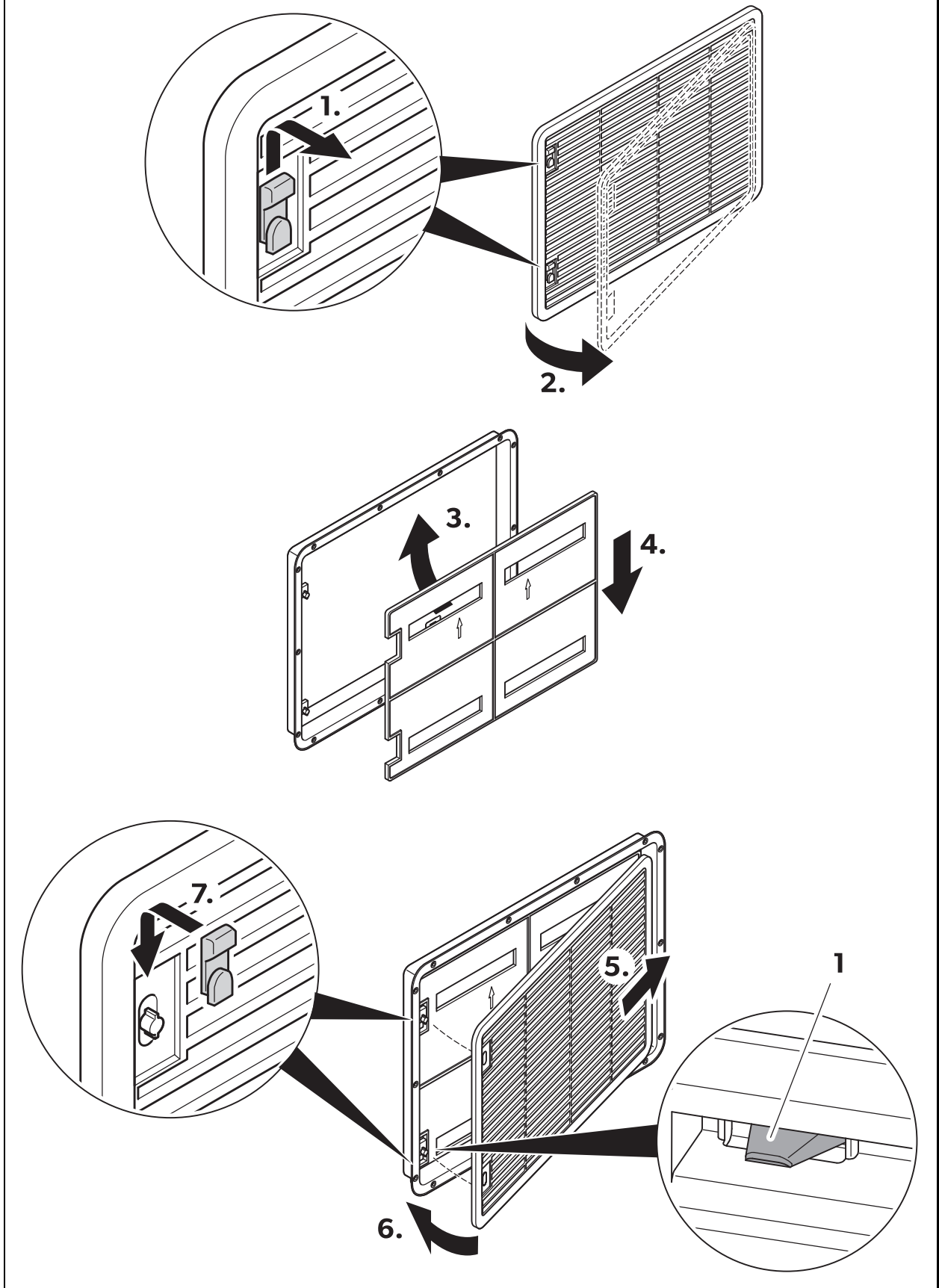


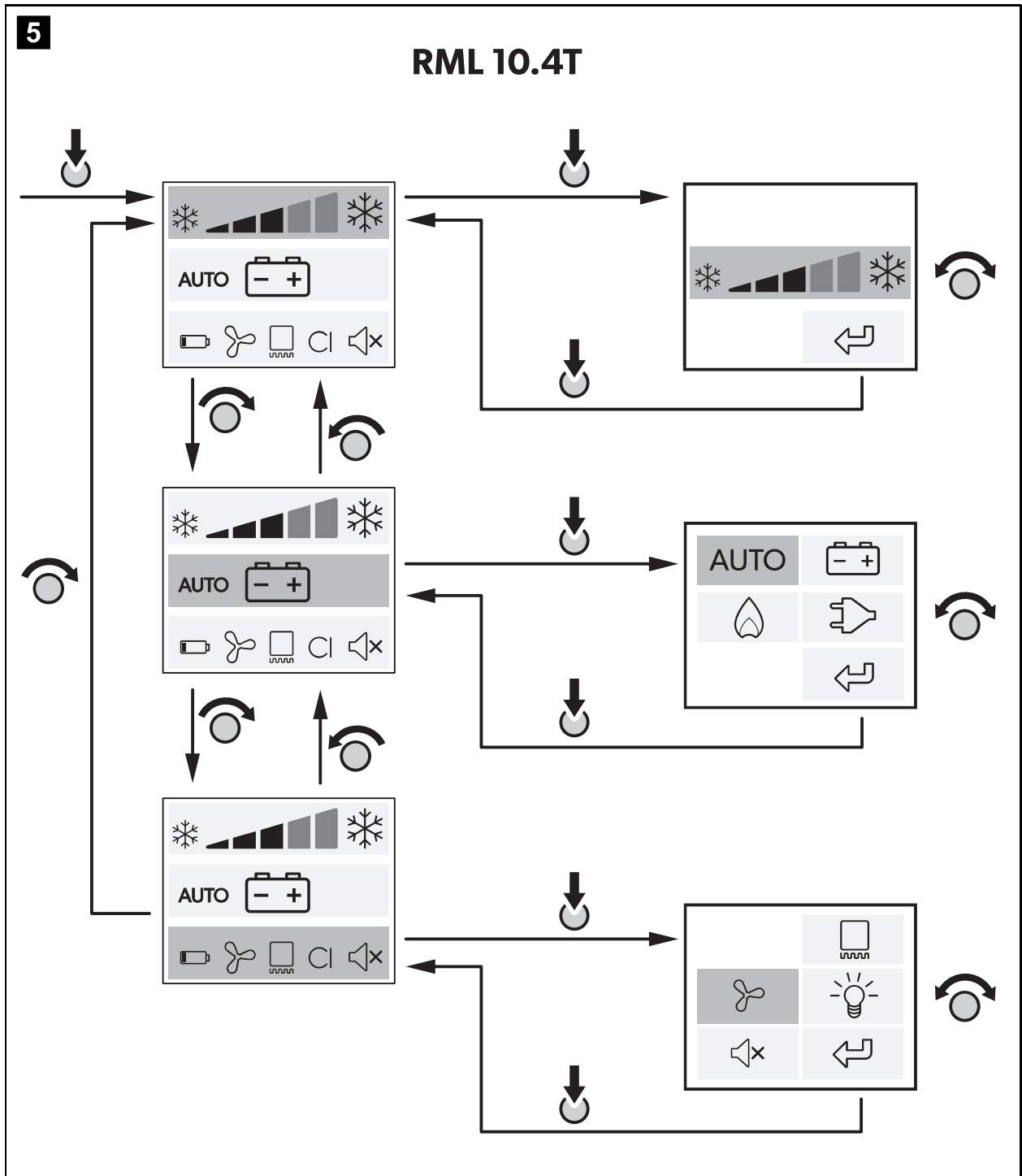


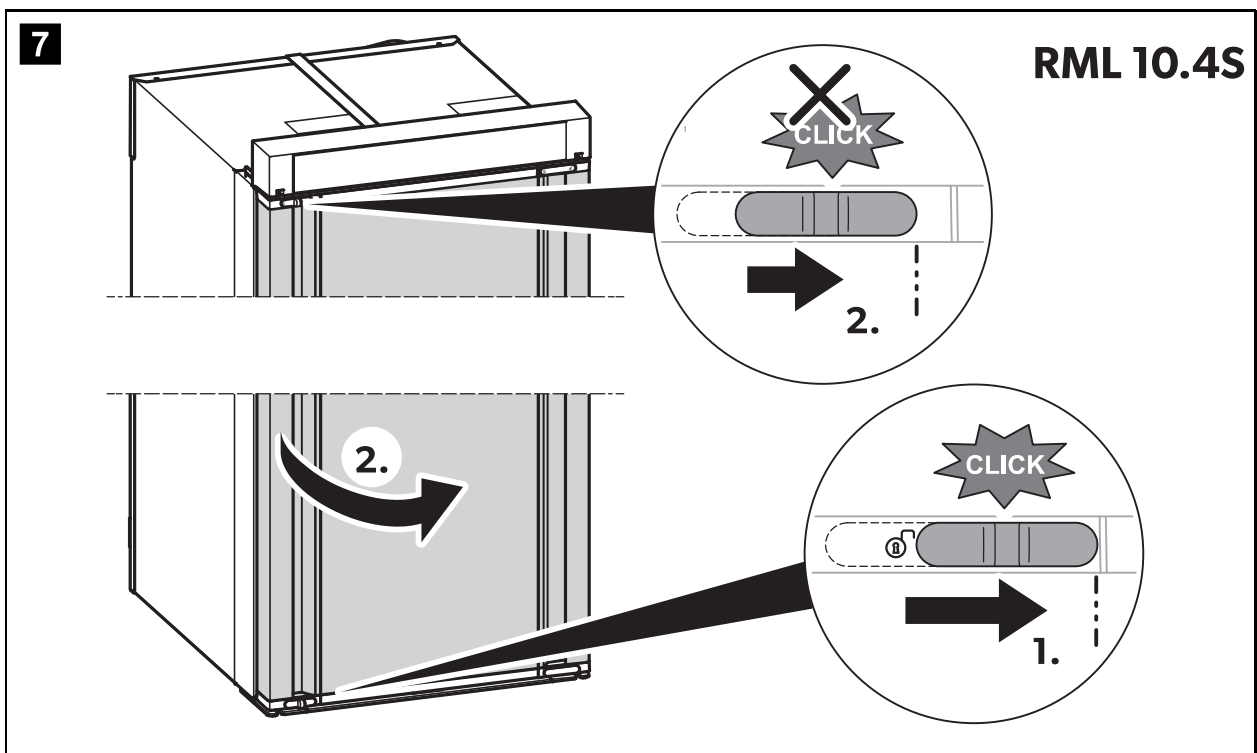
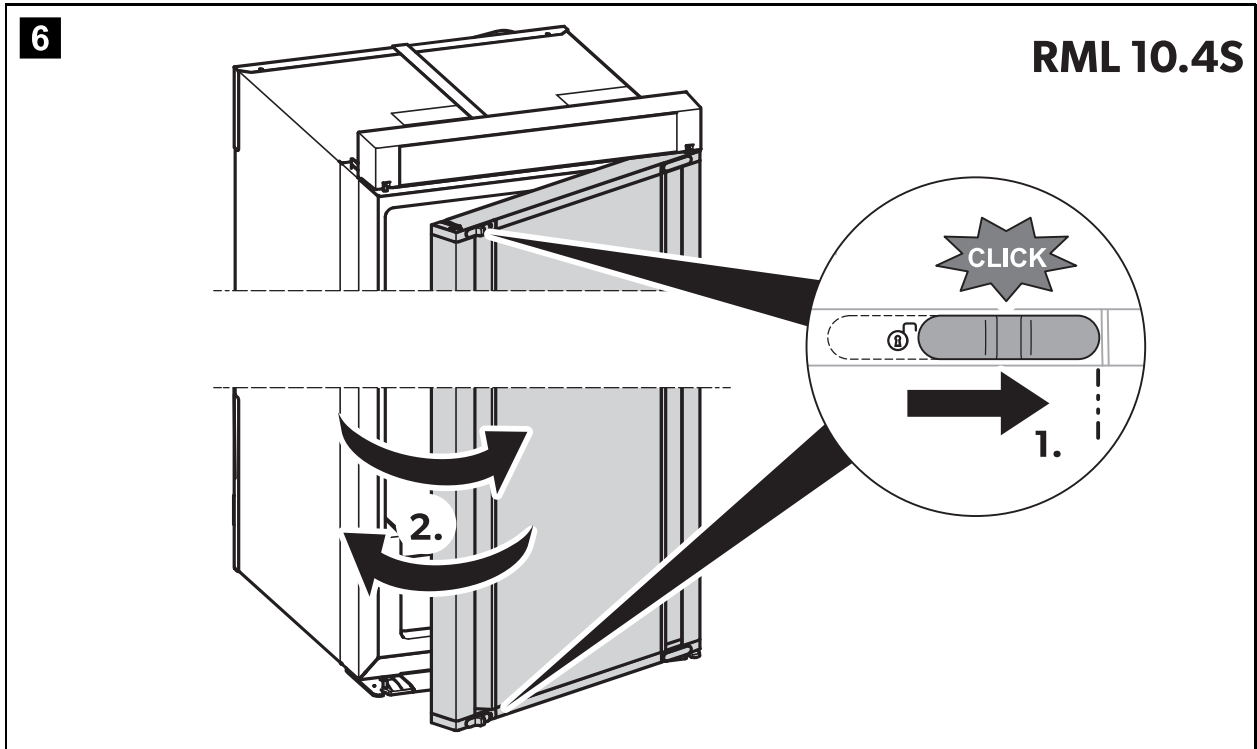


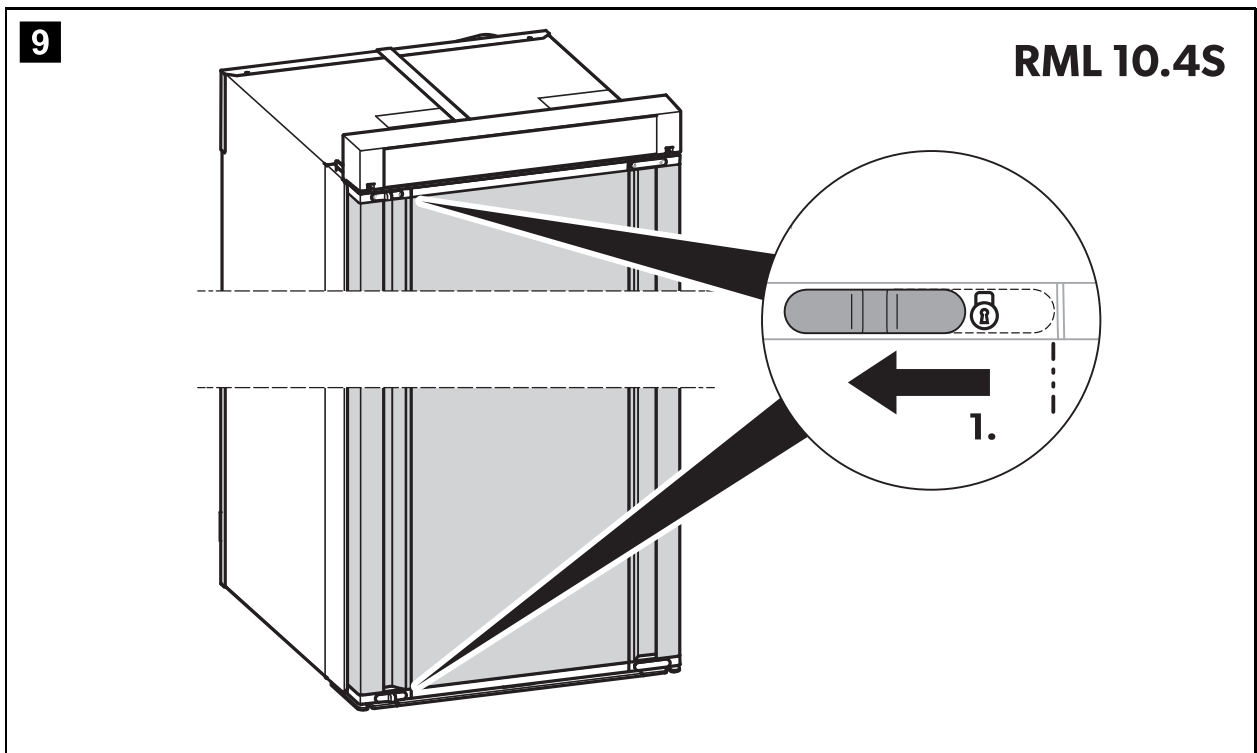
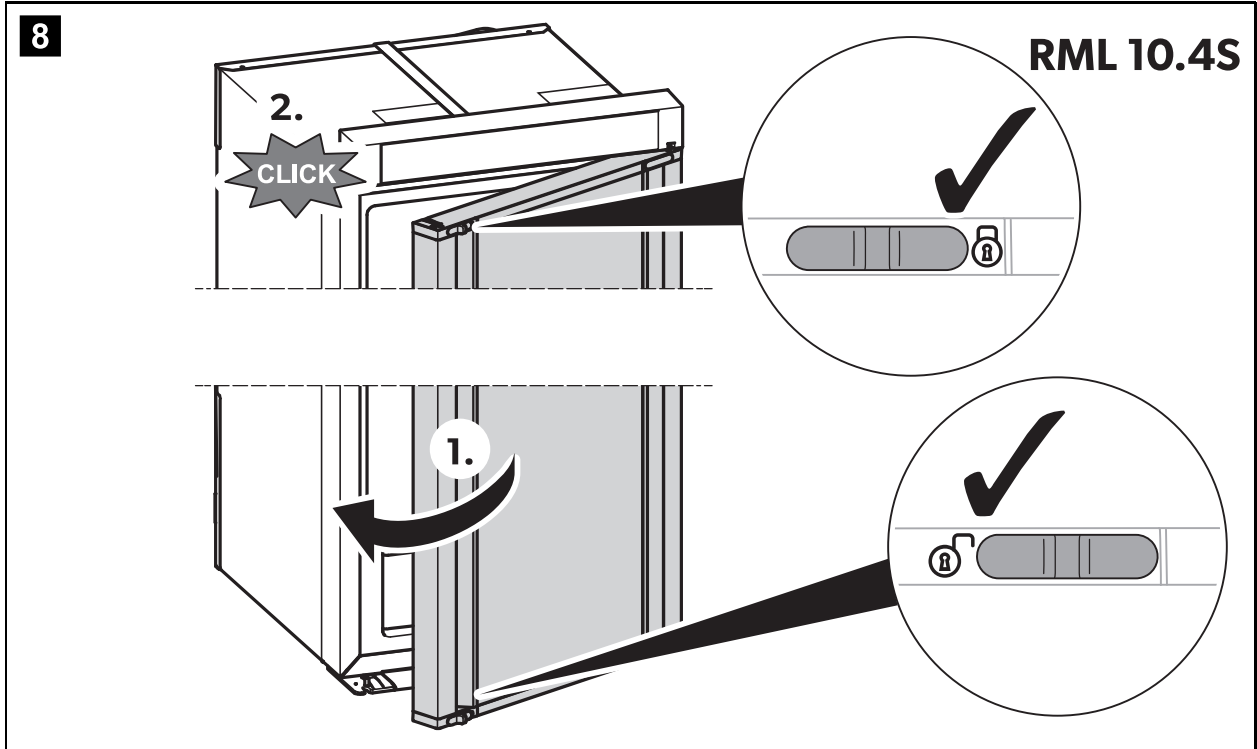
4

LS230

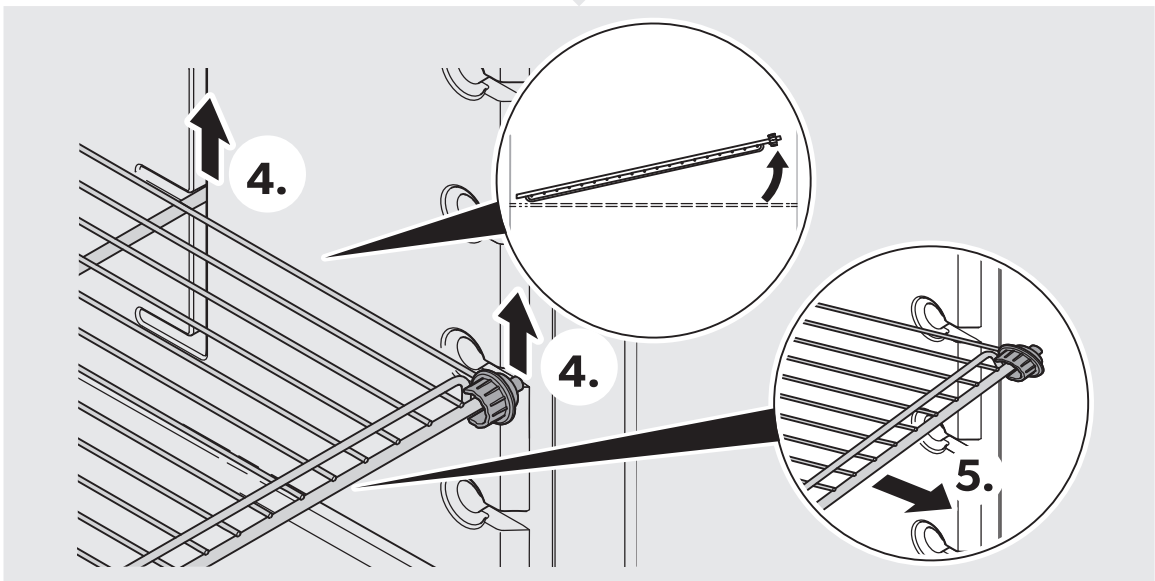
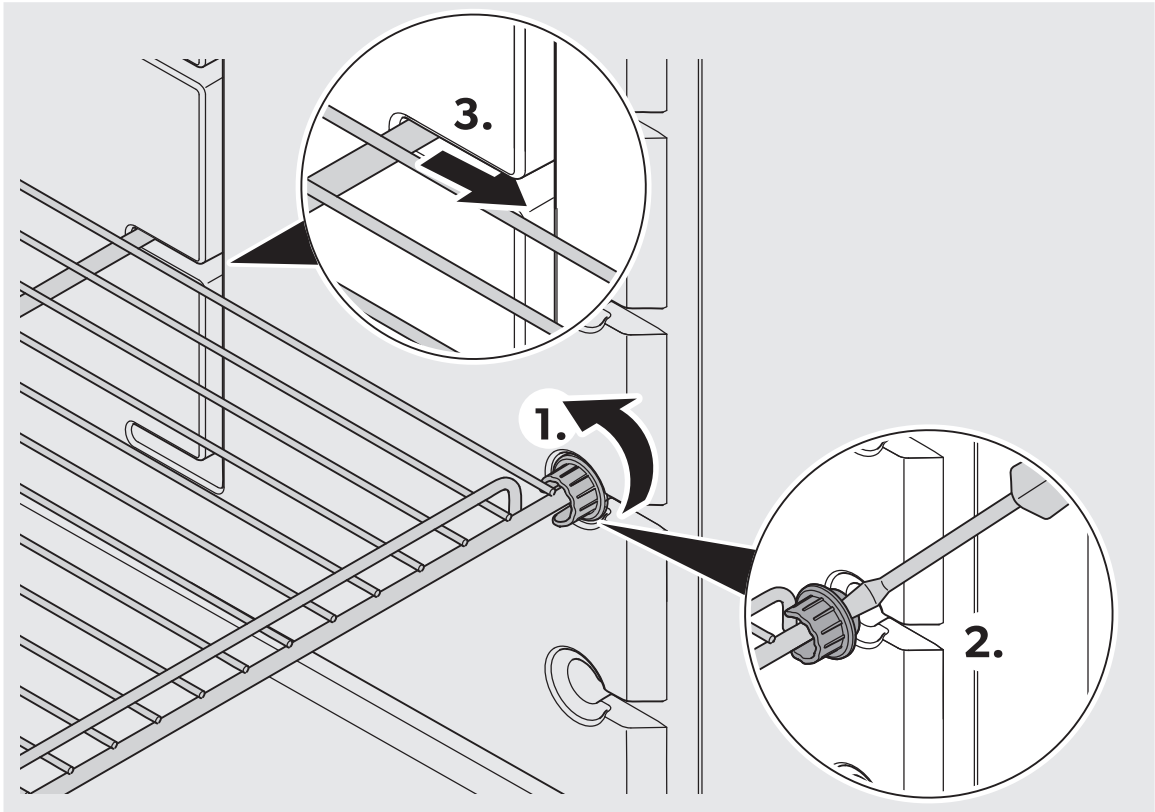


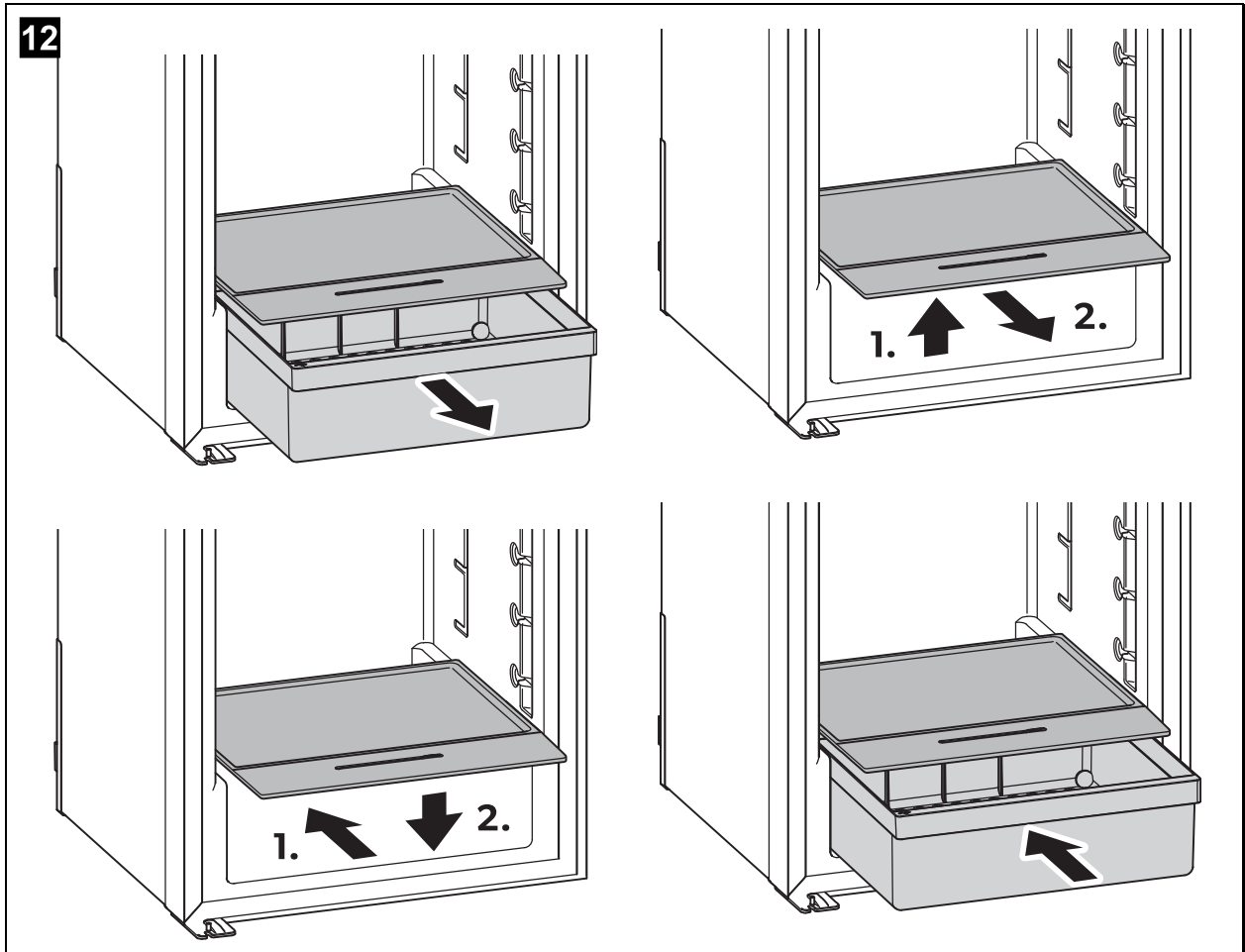
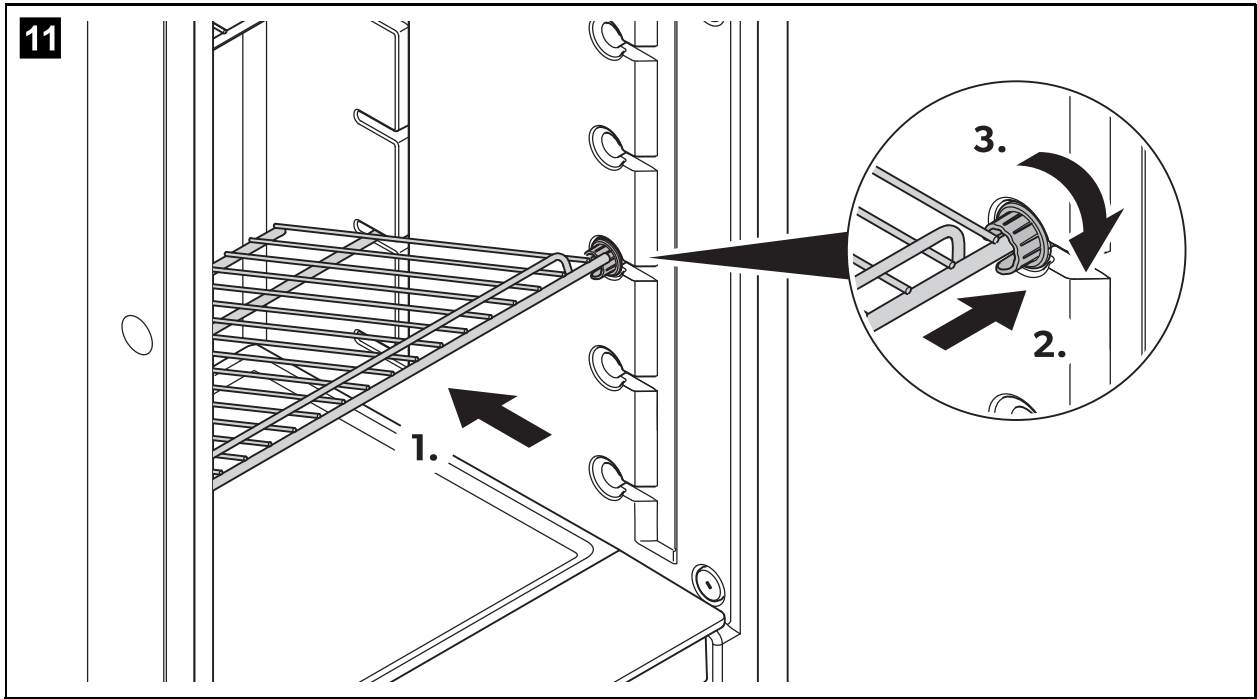


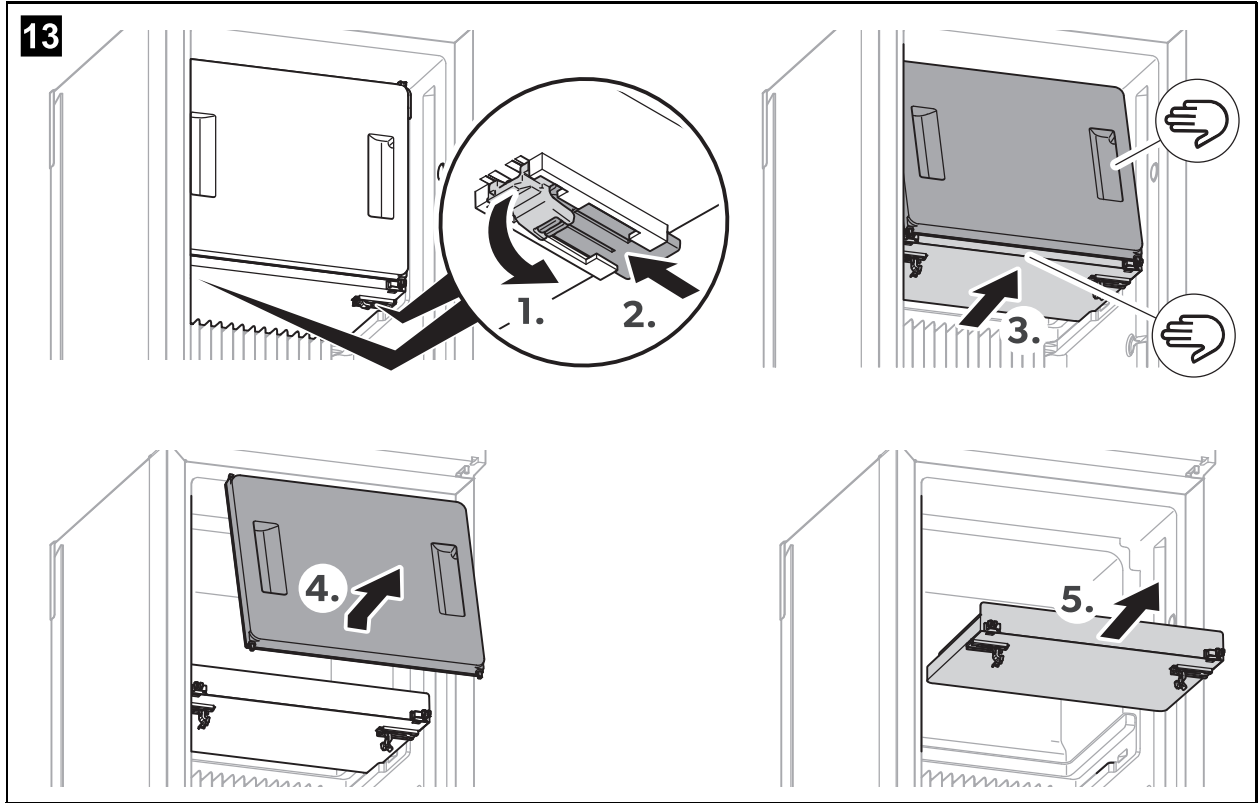




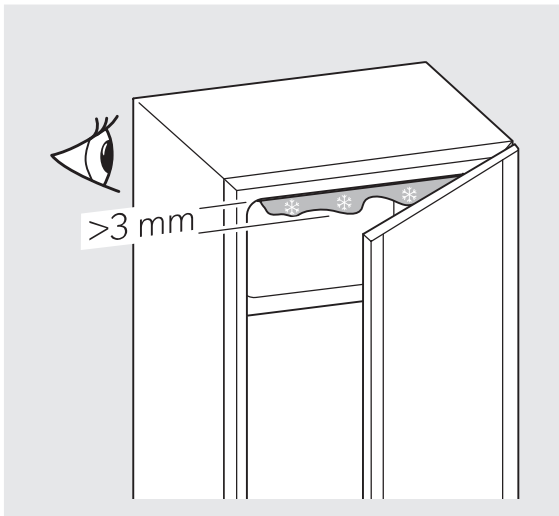
10







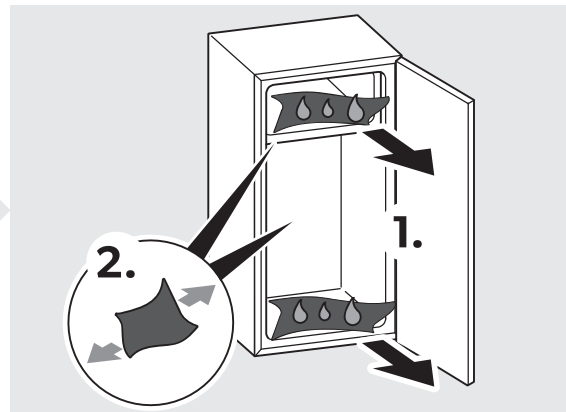
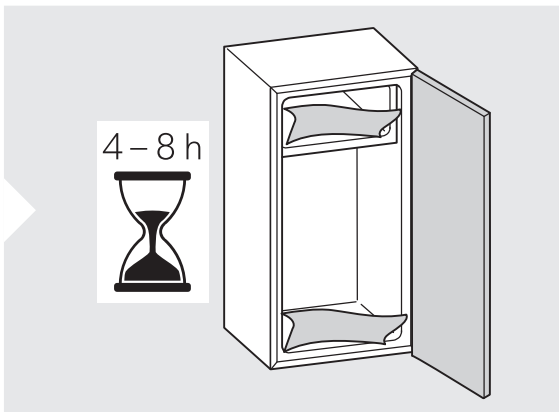
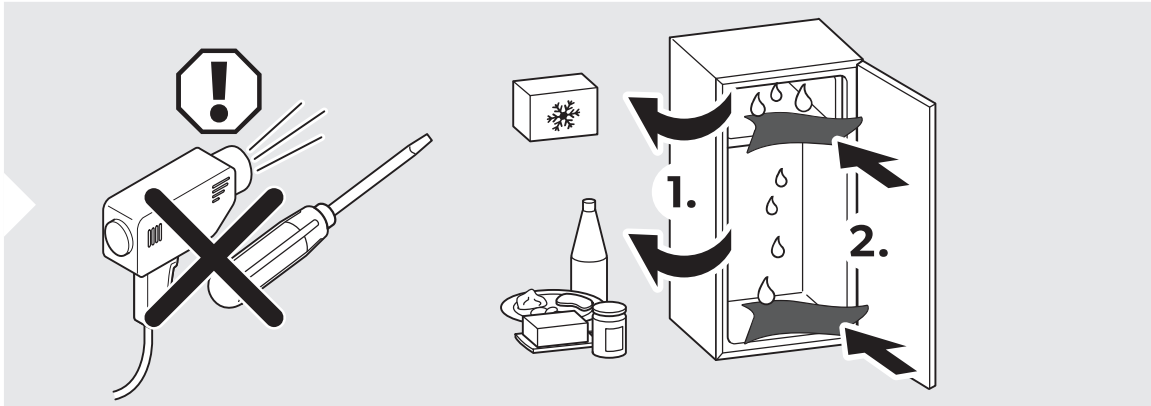
14

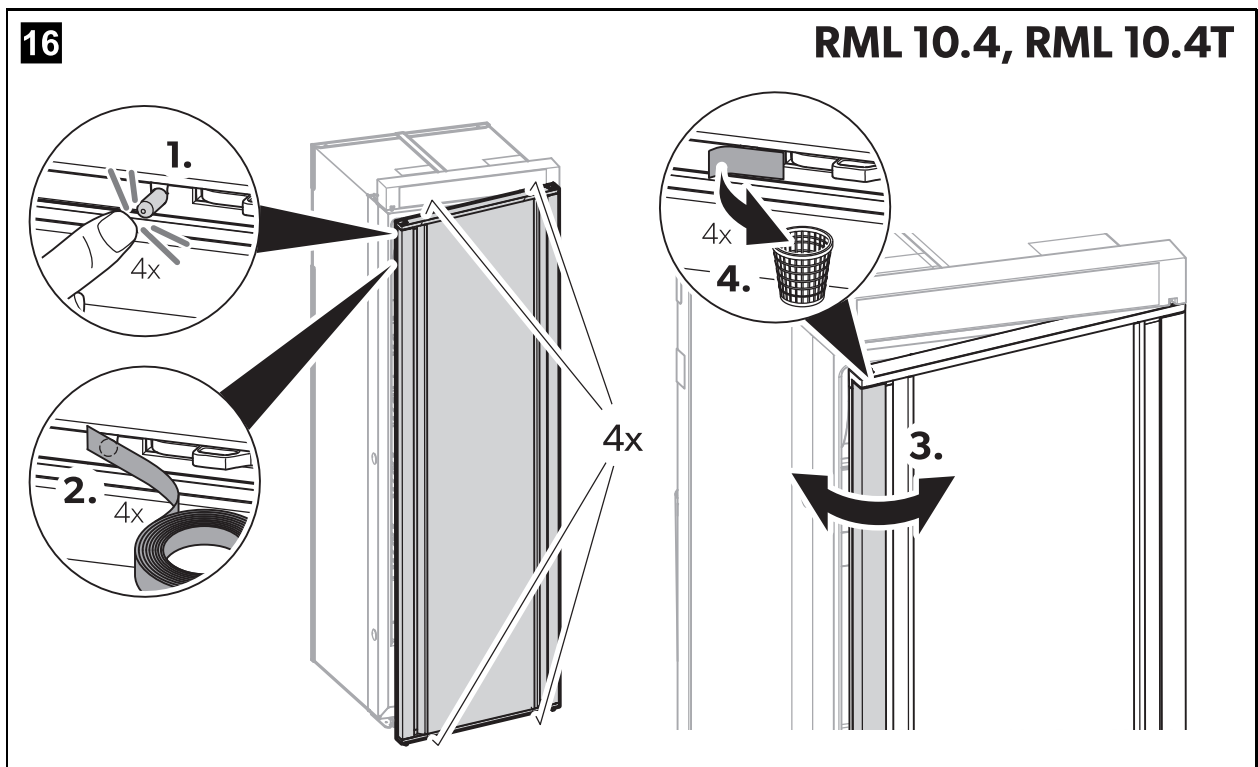
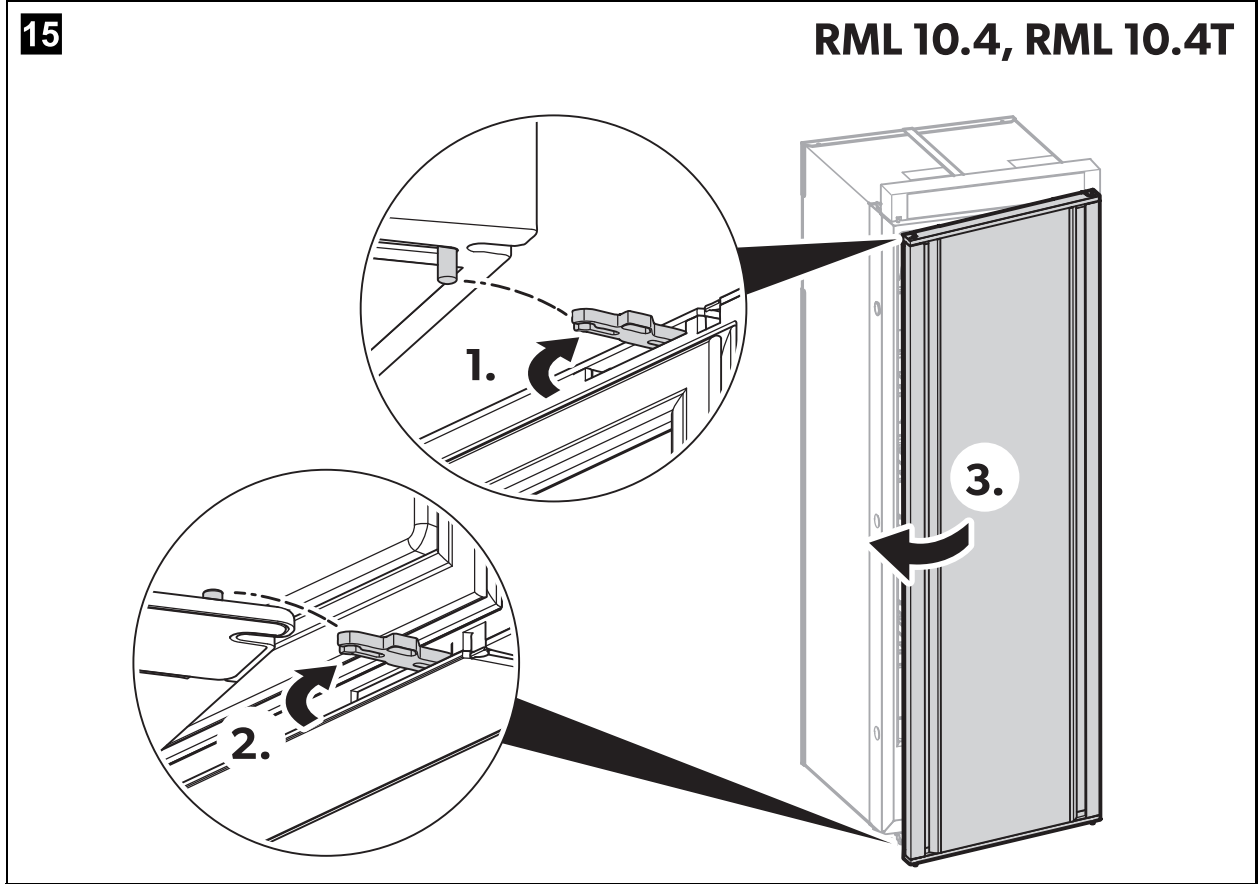


RML 10.4/RML 10.4S



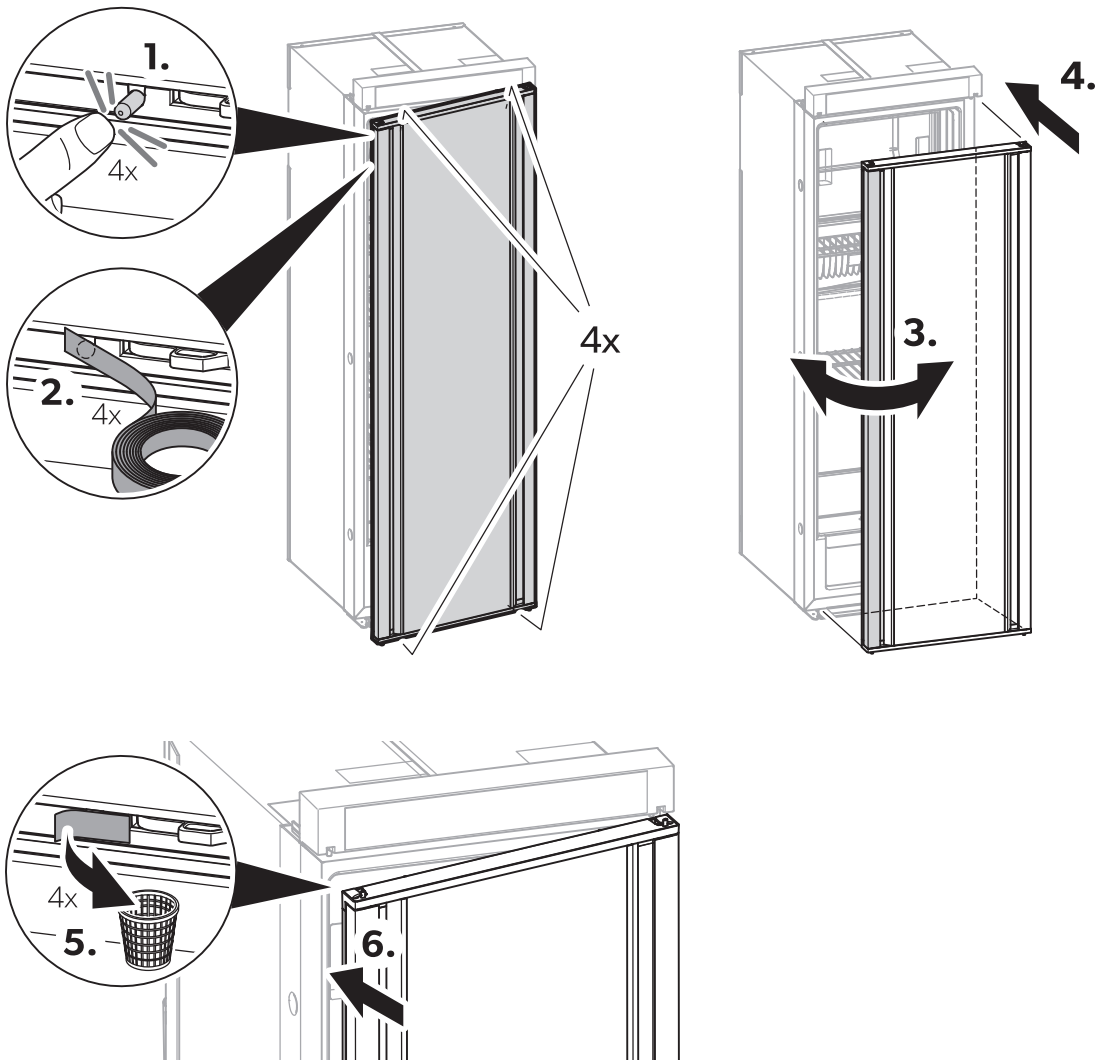
RML 10.4T



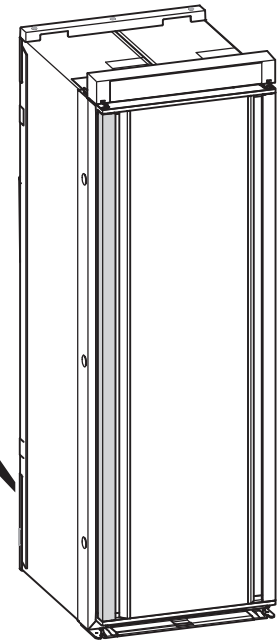
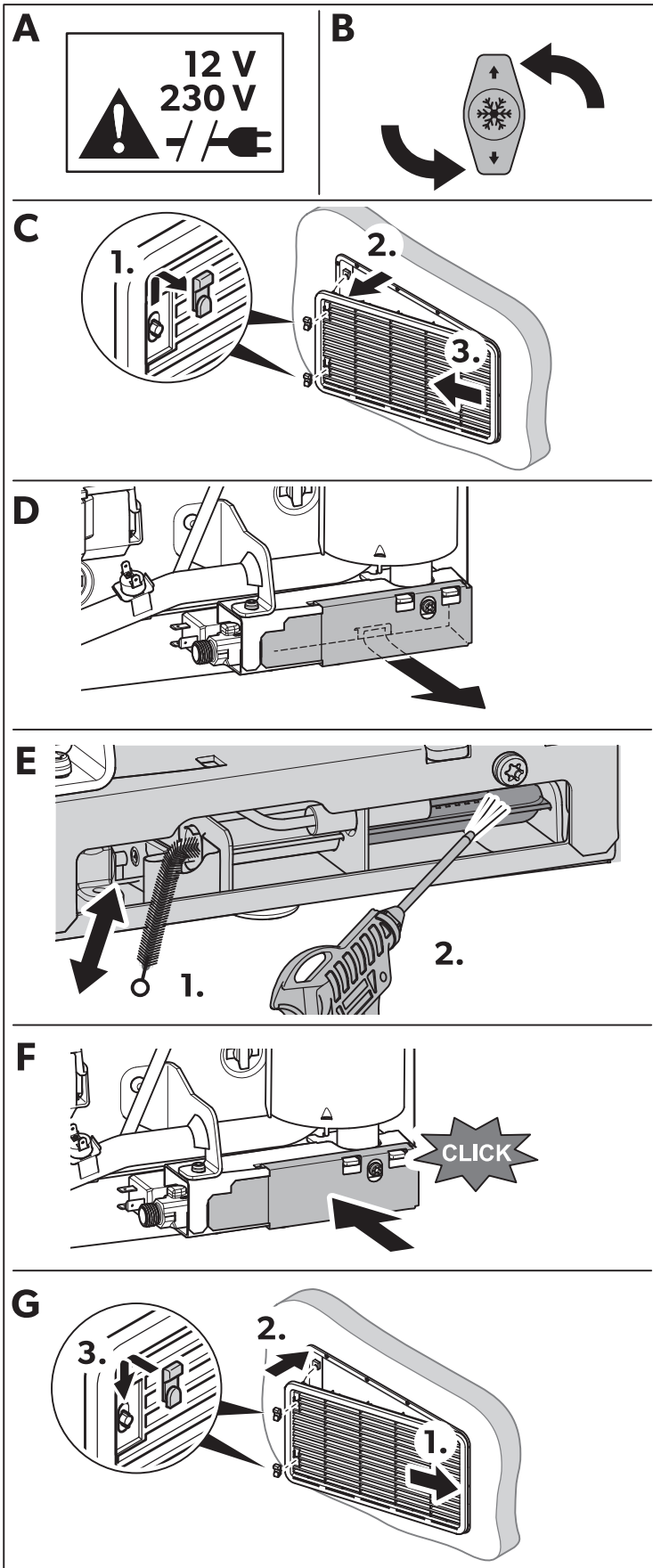


17

RML 10.4, RML 10.4T



18



Please read these instructions carefully and follow all instructions, guidelines, and warnings included in this product manual in order to ensure that you install, use, and maintain the product properly at all times. These instructions **MUST** stay with this product.

By using the product, you hereby confirm that you have read all instructions, guidelines, and warnings carefully and that you understand and agree to abide by the terms and conditions as set forth herein. You agree to use this product only for the intended purpose and application and in accordance with the instructions, guidelines, and warnings as set forth in this product manual as well as in accordance with all applicable laws and regulations. A failure to read and follow the instructions and warnings set forth herein may result in an injury to yourself and others, damage to your product or damage to other property in the vicinity. This product manual, including the instructions, guidelines, and warnings, and related documentation, may be subject to changes and updates. For up-to-date product information, please visit dometic.com.

Contents

1	Explanation of symbols	17
2	Safety instructions	18
3	Accessories	21
4	Intended use	21
5	Technical description	22
6	Using the refrigerator	24
7	Troubleshooting	33
8	Cleaning and maintenance	38
9	Warranty	39
10	Disposal	39
11	Technical data	40

1 Explanation of symbols



WARNING!

Safety instruction: Indicates a hazardous situation that, if not avoided, could result in death or serious injury.



CAUTION!

Safety instruction: Indicates a hazardous situation that, if not avoided, could result in minor or moderate injury.



NOTICE!

Indicates a situation that, if not avoided, can result in property damage.

**NOTE**

Supplementary information for operating the product.

2 Safety instructions

2.1 General safety



WARNING! Failure to obey these warnings could result in death or serious injury.

Electrocution hazard

- Installation and removal of the device may only be carried out by qualified personnel.
- Do not operate the device if it is visibly damaged.
- This device may only be repaired by qualified personnel. Improper repairs can result in considerable danger or damage to the device.

Fire hazard

- The refrigerant in the refrigerant circuit is highly flammable. In the event of any damage to the refrigerant circuit (smell of ammonia):
 - Switch off the device.
 - Avoid naked flames and sparks.
 - Air the room well.

Explosion hazard

- Do not store any explosive substances, such as spray cans with propellants, in the device.

Health hazard

- This device is not intended for use by persons (including children) with reduced physical, sensory or mental capabilities, or lack of experience and knowledge, unless they have been given supervision or instruction concerning use of the device by a person responsible for their safety.
- Cleaning and user maintenance may not be carried out by unsupervised children.
- Children must be supervised to ensure that they do not play with the device.

**NOTICE! Damage hazard**

- Keep the condensation opening clean at all times.
- The device lighting may only be replaced by a service agent.
- Do not use a high-pressure cleaner near the ventilation grill when cleaning the vehicle.
- Attach the winter covers of the ventilation grille (accessories) when the vehicle is cleaned from the outside or not used for a prolonged period of time.

2.2 Safe operation

**CAUTION! Failure to obey these cautions could result in minor or moderate injury.****Risk of injury**

- Close and lock the device door before beginning a journey.
- The cooling aggregate at the back of the device becomes very hot during operation. Protect yourself from coming into contact with hot parts when removing ventilation grills.

**NOTICE! Damage hazard**

- Do not use electrical devices inside the device.
- Ensure that the ventilation openings are not covered.

2.3 Safety when operating with gas

**WARNING! Failure to obey these warnings could result in death or serious injury.****Explosion hazard**

- **Only** operate the device at the pressure shown on the type plate. Only use pressure controllers with a fixed setting which comply with the national regulations.
- While driving only operate the device with gas if the vehicle manufacturer allows the operation of the gas system while driving (see vehicle's manual).
- Check the national requirements for operating the device with gas during driving.

- Never operate the device with gas:
 - At petrol stations
 - In parking garages
 - On ferries
 - While transporting the caravan or mobile home with a transport vehicle or tow truck
- Never use a naked flame to check the device for leaks.
- In case of gas odor:
 - Close the gas supply cock and the valve on the cylinder.
 - Open all windows and leave the room.
 - Do not press an electric switch.
 - Put out any naked flames.
 - Have the gas system checked by a specialist.

**NOTICE! Damage hazard**

- Only use propane or butane gas, **not** natural gas (see rating plate).

**NOTE**

- Ignition problems may occur at altitudes above 1000 m. Switch to a different energy source.

2.4 Safety when operating

**CAUTION! Failure to obey these cautions could result in minor or moderate injury.****Health hazard**

- Make sure that you only put items in the device which may be chilled at the selected temperature.
- Opening the door for long periods can cause significant increase of the temperature in the compartments of the device.
- Food may only be stored in its original packaging or in suitable containers.
- Store raw meat and fish in suitable containers in the device, so that it is not in contact with or drip onto other food.
- If the device is left empty for long periods:
 - Switch off the device.
 - Defrost the device.
 - Clean and dry the device.
 - Leave the door open to prevent mould developing within the device.

Risk of injury

- The device door or the freezer door can completely detach from the device if used incorrectly. Push the doors closed until you hear a clear click at the top and bottom.
- Do not lean on the open device door.

**NOTICE! Damage hazard**

- If the door is not locked correctly on the opposite side, push on that side at the top and the bottom until it locks in place.
- Only store heavy objects such as bottles or cans in the device door, in the vegetable compartment or on the bottom shelf.

**NOTE**

- Ask your vehicle manufacturer if the battery management of your vehicle shuts down the devices to protect the battery.
- Put the device door and the freezer door into the winter position if you are not going to use the device for a longer period of time. This prevents mold from forming.
- For ambient temperatures of +15 °C to +25 °C, select the average temperature setting.

3 Accessories

Description

Winter cover LS230 for the ventilation grill

Winter cover LS330 for the ventilation grill

Optional Fan Kit REF-FANKIT

Note: The Fan Kit can only be installed in refrigerators with software version 36 or higher (fig. **2**, page 5).

Optional Battery pack Pack R10-BP for stand-alone gas operation

Optional Ø2,5/5,5 mm connector for stand-alone gas operation with a 9 V⁼⁼⁼ powerbank

4 Intended use

The device is suitable for:

- Installation in caravans and motor homes

- Cooling, deep-freezing and storing food

The device is **not** suitable for:

- Storing medications
- Storing corrosive substances or substances that contain solvents
- Quick-freezing food

This product is only suitable for the intended purpose and application in accordance with these instructions.

This manual provides information that is necessary for proper installation and/or operation of the product. Poor installation and/or improper operating or maintenance will result in unsatisfactory performance and a possible failure.

The manufacturer accepts no liability for any injury or damage to the product resulting from:

- Incorrect assembly or connection, including excess voltage
- Incorrect maintenance or use of spare parts other than original spare parts provided by the manufacturer
- Alterations to the product without express permission from the manufacturer
- Use for purposes other than those described in this manual

Dometic reserves the right to change product appearance and product specifications.

5 Technical description

The refrigerator is an absorber refrigerator and is designed for operation



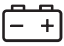








- on a DC power supply (12 V)
- on an AC power supply
- with liquefied gas (propane or butane)

The refrigerator has an automatic operating mode that selects the most economical type of energy connected. The refrigerator unit operates silently.

5.1 Operating and display elements









RML10.4T

The TFT display features the following operating and display elements (fig. **1** A, page 4):

Symbol	Description
	Cooling capacity indicator
	Operation with AC power
	Operation with DC power
	Operation with gas
AUTO	Automatic mode: In automatic mode, the refrigerator automatically selects the most economical operating mode in the following order of priority:
	Battery: Symbol lights up when the battery packs (optional) are fitted and the device is in stand-alone gas mode.
	Fan (optional): Symbol lights up when the fan function is activated.
	Frame heater Symbol lights up when the frame heater is operating. The frame heater of the freezer compartment reduces condensation.
CI	Symbol lights up when the refrigerator is connected to the CI bus.
	Dim TFT display After 30 seconds, the brightness of the display is reduced to the set level.
	Beep off: <ul style="list-style-type: none"> • Error messages and warnings are not signaled acoustically. • Door left open for an extended period is signaled acoustically.
	Beep on: Error messages, warning messages and door left open for an extended period are signaled acoustically.
	Confirm selection and return to the main menu

RML10.4 and RML10.4S

The LED display features the following operating and display elements (fig. **1** B, page 4):

Symbol	Description
	ON/OFF button
	Fault indicator
	Operation with DC power
	Operation with gas
	Operation with AC power
A	Automatic mode
	Temperature indicator
	Energy selection button
	Temperature selection button

6 Using the refrigerator



NOTE

- Before starting your new refrigerator for the first time, clean it inside and outside with a damp cloth for hygienic reasons.
- When using the refrigerator for the first time, there may be a mild odor which will disappear after a few hours. Air out the living space well.
- Park the vehicle so that it is level, especially when starting up and filling the refrigerator before setting off on a journey.
- The cooling capacity can be affected by:
 - the ambient temperature (e.g. when the vehicle is exposed to direct sunlight)
 - the amount of food to be refrigerated
 - how often you open the door

6.1 Tips for optimal refrigerator operation

- Do not store goods in the refrigerator for the first 12 hours after start-up.
- Protect the interior of the vehicle from warming up excessively (e.g. sunshades in the windows, air conditioner).
- Protect the refrigerator from direct sunlight (e.g. sunshades in the windows).

6.2 Operation at low outdoor temperatures



NOTICE!

In AC power mode and DC power mode, install **both** winter covers. In gas mode or automatic mode, install the **lower** winter cover only. This prevents heat from building up and ensures the fumes from the refrigerator can dissipate properly.



NOTE

Cold air can impact the performance of the cooling unit. Install the winter covers if you determine a loss of cooling capacity at low ambient temperatures.


- ▶ Install the winter covers as shown:
 - Ventilation grille LS330: fig. **3**, page 5
 - Ventilation grille LS230: fig. **4**, page 6




NOTE

A winter cover that has been installed on the LS230 ventilation grille can be identified by the bolts protruding from the ventilation grille (fig. **4** 1, page 6).

6.3 Switching on the refrigerator

- ▶ Press for 2 seconds
 - **RML10.4T**: the control knob
 - **RML10.4 and RML10.4S**: the  button
- ✓ The refrigerator starts with the most recent settings.

6.4 Switching off the refrigerator




- ▶ Press for 4 seconds
 - **RML10.4T**: the control knob
 - **RML10.4 and RML10.4S**: the  button
- ✓ A beep sounds and the refrigerator switches off.


6.5 Operating the refrigerator (RML 10.4T)

Menu navigation: fig. , page 7

- ▶ Press the control knob to activate the TFT display.


The main menu is divided into three lines:

Main menu	Detail menu
	Cooling capacity menu
	Operating mode menu
	Settings menu

- ▶ Turn the control knob to select the desired detail menu.
- ▶ Press the control knob to open the selected detail menu.
- ▶ Turn the control knob to navigate through the detail menu.
- ✓ Selected settings are displayed in blue.
- ▶ Press the control knob to choose the selected setting.
- ▶ Confirm the selection using .

6.6 Operating the refrigerator (RML 10.4 and RML 10.4S)

Controls

- ▶ Repeatedly press , until the LED indicates the desired operating mode.
- ▶ Repeatedly press , until the desired temperature level is set.

6.7 Tank stop mode



WARNING!

Turn off the refrigerator or select a different operating mode if refueling takes longer than 15 minutes.

If the vehicle's ignition is switched off, the refrigerator will switch to tank stop mode for safety reasons. This blocks gas operation for 15 minutes. The refrigerator then automatically switches back to the standard automatic mode.

In tank stop mode

- **RML10.4T:** the symbol  is displayed
- **RML10.4 and RML10.4S:** the  LED flashes

6.8 Stand-alone gas mode (accessory)

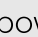



WARNING!

In stand-alone gas mode, the refrigerator must be switched off manually during refueling.



NOTE

- When no AC or DC power is connected, there is a load on the batteries even when the refrigerator is off.
- Remove the batteries when the refrigerator is not in use (risk of leakage).
- If your vehicle manufacturer has installed the Ø2.5/5.5 mm connector, ask the manufacturer about the connection point for the 9 V  powerbank.

For stand-alone gas mode, the optional battery packs must be installed or the optional Ø2.5/5.5 mm connector must be plugged into a 9 V  powerbank. This makes connecting to AC or DC power unnecessary.

When using 12 batteries (type AA), the refrigerator can be operated in stand-alone gas mode for 2 to 3 days.



Please note the following special features when using stand-alone gas mode:

- The light inside the refrigerator remains switched off.
- The display turns off 2 seconds after the last activity.
- The display briefly switches on every 15 seconds. This indicates that the refrigerator is switched on.
- If there are error messages, the display stays switched on.

Stand-alone gas mode is indicated

- **RML10.4T**: by the symbols  and 
- **RML10.4 and RML10.4S**: by the flashing of  LED every 15 seconds

The batteries in the battery packs must be replaced


- **RML10.4T**: when the error "E 14" is displayed
- **RML10.4 and RML10.4S**: when the error  /  is displayed

6.9 Setting the cooling capacity



NOTE

For ambient temperatures of +15 °C to +25 °C, select the average cooling capacity.

- ▶ Set the cooling capacity:
 - **RML10.4T**: Select the desired temperature level in the cooling capacity menu.
 - **RML10.4 and RML10.4S**: Repeatedly press  until the desired temperature level is selected.

6.10 Fan operation (optional)

For fan operation the optional fan must be installed.

When switching on the device, the fan is switched on for a short time (function test). During the device's operation the fan only switches on:

- When the ambient temperature is above 32 °C.
- When the set cooling temperature is not reached within 2 hours.
- **RML10.4T**: When the fan function is activated.



NOTE

RML10.4T: In delivery state, the fan function is activated.

RML10.4, RML10.4S: The fan function is always activated and can **not** be deactivated.

RML10.4T

The fan operation is indicated by the symbol .

6.11 Using the refrigerator door/freezer compartment door (RML10.4 and RML10.4T)



CAUTION! Risk of injury

- The refrigerator door or freezer compartment door can completely detach from the device if used incorrectly.
- Do not lean on the open refrigerator door.



NOTE

If the door is not secured correctly on the opposite side, carefully push on the top and bottom of the door on that side until it is secured in place.

Closing and securing the refrigerator door/freezer compartment door

- ▶ Press the door shut until you clearly hear it click at the top and bottom.
- ✓ The door is now closed and secured.

6.12 Using the refrigerator door (RML10.4S)

Releasing the refrigerator door

- ▶ Release the refrigerator door as shown (fig. **6**, page 8).
- ✓ The refrigerator door is easy to open and close but will not be secured when closed.

Securing the refrigerator door at the top automatically

- ▶ Release and open the refrigerator door as shown (fig. **7**, page 8).
- ✓ The refrigerator door is automatically secured at the top after closing (fig. **8**, page 9).

Securing the refrigerator door before starting to drive

- ▶ Secure the refrigerator door as shown (fig. **9**, page 9).

6.13 Notes on storing food



CAUTION! Health hazard!

- Please check whether the cooling capacity of the refrigerator is suitable for the food you wish to cool.
- Opening the door for long periods can cause significant increase of the temperature in the compartments of the refrigerator.
- Store raw meat and fish in suitable containers in the refrigerator, so that raw meat and fish is not in contact with or drip onto other food.
- Food may only be stored in its original packaging or in suitable containers.
- The freezer compartment is suitable for making ice cubes and for keeping frozen food. It is not suitable for freezing previously unfrozen food.
- If the refrigerator is exposed to a room temperature of below +10 °C for an extended period of time, a uniform temperature cannot be guaranteed in the freezer compartment. This can lead to an increase of the freezer compartment temperature and the goods stored in it may defrost.



NOTICE!

- The maximum weight per door shelf is 3 kg. The maximum weight for the entire door is 7.5 kg.
- Store heavy objects such as bottles or cans in the refrigerator door, in the lower storage compartment or on the bottom shelf only.
- Do not keep carbonated drinks in the freezer compartment.

► Store food as shown (fig. **1**, page 4).



Using the VG fresh base (RML10.4T only)



NOTICE!

The maximum load capacity of the VG fresh base is 4.5 kg.

The slider in the VG fresh base can be used to regulate the humidity in the vegetable compartment below it:

Goods to be cooled		Optimal humidity	Slider position
Vegetables		High	○○○ ► Close the slider.
Fruit		Low	○ ► Open the slider.

6.14 Positioning the shelves



WARNING! Children beware!

All shelves are fixed in place to prevent children from climbing into the refrigerator.

- Only remove the shelves for cleaning purposes.
- Refit the shelves and secure them in place.

- Remove the shelf as shown (fig. **10**, page 10).
- Refit the shelf in the reverse order.

Positioning the shelf at an angle for wine bottles



NOTICE!

While driving, the shelf in the angled position must **not** be filled.

- Change the position of the shelf as shown (fig. **11**, page 11).

Removing and inserting the VG fresh base (RML 10.4T only)

- Proceed as shown (fig. **12**, page 11).

6.15 Removing the freezer compartment

You can take out the freezer compartment to make more space in the refrigerator compartment.



NOTE

- Keep the freezer compartment door and the base in a safe place to prevent any damage.
- When installing, replace the parts in the reverse order.

- Proceed as shown (fig. **13**, page 12).

6.16 Defrosting the refrigerator



NOTICE!

Do not use mechanical tools or a hair dryer to remove ice or to loosen frozen items.



NOTE

Over time, frost builds up on the cooling fins inside the refrigerator. If this layer of frost is about 3 mm thick, you should defrost the refrigerator.

- ▶ Proceed as shown (fig. **14**, page 13).

6.17 Positioning the refrigerator door in the winter position



CAUTION!

The winter position may **not** be used while driving.

Place the refrigerator door and the freezer compartment door into the winter position if you are not going to use the refrigerator for an extended period of time. This prevents mold from forming.

- ▶ Defrost the refrigerator (chapter “Defrosting the refrigerator” on page 32).
- ▶ Unscrew the hook near the securing mechanism all the way at the top and bottom of one side of the door (fig. **15**, page 14).
- ▶ Press against the refrigerator door.
- ✓ The protruding pin snaps into the hook.

Open the door in winter mode as follows:

- ▶ Pull the door toward you.
- ▶ Push the protruding hooks at the top and bottom of the door back in.

7 Troubleshooting



NOTE

To safely operate 12 V consumer units in the caravan while driving, it must be ensured that the towing vehicle provides sufficient voltage. On some vehicles, the battery management system may automatically switch off the consumer units to protect the battery. Ask your vehicle manufacturer for more information.

Fault	Possible cause	Suggested remedy
In AC power mode: The refrigerator does not work.	The fuse in the AC power supply is defective.	Replace the fuse.
	The vehicle is not connected to the AC power supply.	Connect the vehicle to the AC power supply.
	The AC heating element is defective.	Contact an authorized customer service point.
In DC power mode: The refrigerator does not work.	The fuse in the DC cable is defective.	The fuse on the relay must be replaced. Contact an authorized customer service point.
	The vehicle fuse has blown.	Replace the vehicle fuse. (Please refer to the operating manual of your vehicle.)
	The vehicle battery is discharged.	Test the battery and charge it.
	The ignition is not switched on.	Switch on the ignition.
	The DC heating element is defective.	Contact an authorized customer service point.
In gas mode: The refrigerator does not work.	The gas cylinder is empty.	Replace the gas cylinder.
	The gas valve is closed.	Turn the valve to open.
	Air is in the gas line.	Switch the refrigerator off and on again. Repeat the procedure three or four times if necessary. If installed, switch on the stove and repeat the process on the refrigerator if necessary .
In automatic mode: The refrigerator is being operated with gas although it is connected to the AC power supply.	The grid voltage is too low.	The refrigerator automatically switches back to AC power supply as soon as the grid voltage is sufficient again.

Fault	Possible cause	Suggested remedy
The refrigerator is not cooling adequately.	The ventilation around the cooling unit is not sufficient.	Check that the ventilation grille is not obstructed.
	The evaporator is iced up.	Check whether the refrigerator door closes properly. Make sure that the refrigerator seal fits correctly and is not damaged. Defrost the refrigerator.
	The temperature is set too high.	Set a lower temperature.
	The ambient temperature is too high.	Remove the ventilation grille for a while so that warm air can escape quicker.
	Too much food was placed in the refrigerator at the same time.	Remove some of the food.
	Too much warm food was placed in the refrigerator at the same time.	Remove the warm food and leave it to cool down before putting it in again.
	The refrigerator has not been operating for very long.	Check the temperature again after four or five hours.

7.1 Fault messages and signal tones

All faults are indicated by a warning symbol, a fault ID and a beep. The beeping lasts for 2 minutes and is repeated every 30 minutes until the error has been rectified.

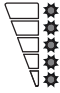







If multiple faults occur, the display shows the most recent fault. The underlying faults are displayed after the last fault has been confirmed.

RML10.4T: Faults are indicated by a fault code with a warning symbol (⚠) in the middle of the TFT display.

RML10.4 and RML10.4S: In the event of a fault, the LED warning symbol (⚠) in the display lights up continuously and the LEDs flash according to the fault.


WARNING type fault messages







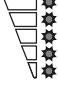







All faults of the WARNING type are reset automatically once the fault has been rectified.




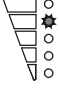


RML10.4T	RML10.4, RML 10.4S	Fault	Solution
W01		Defective temperature sensor in the refrigerator compartment	Contact an authorized customer service point.
W05		AC power not connected or AC voltage <190 V	Connect the refrigerator to AC power or select a different energy type, e.g. gas or DC power.
W06		DC power not connected	Connect the refrigerator to DC power or select a different energy type, e.g. gas or AC power.
W11	 	DC overvoltage (>16 V).	Reduce the DC supply voltage.
		Tank stop mode: Gas operation is blocked for 15 minutes.	Wait 15 minutes or switch to another operating mode.
 W10 + beep	Beep	The door has been open for more than 2 minutes.	Close the door.

ERROR type fault messages

All faults of the ERROR type must be reset manually:

- ▶ **RML10.4T:** Press the control knob for 2 seconds.
- ▶ **RML10.4 and RML10.4S:** Press  for 2 seconds.
- ✓ A beep sounds.
- ✓ The error has been reset.

RML10.4T	RML10.4, RML 10.4S	Fault	Solution
E03		No connection between power module and display	Contact an authorized customer service point.
E07	 	No cooling capacity in gas mode	Check if the device is at an angle and adjust it so it is level, if necessary. Reset the error. Contact customer service if this error occurs again.
E08	 	No cooling capacity in AC power mode	Check if the device is at an angle and adjust it so it is level, if necessary. Reset the error. Contact customer service if this error occurs again.
E09	 	No cooling capacity in DC power mode	Check if the device is at an angle and adjust it so it is level, if necessary. Reset the error. Contact customer service if this error occurs again.
E12	 	Gas valve test error	Gas operation is not possible. Reset the error. Contact customer service if this error occurs again.
E13	 	Internal communication error	Gas operation not possible. Reset the error. Contact customer service if this error occurs again.
E14	 	In stand-alone gas mode: The battery charge of the battery packs is too low	Insert new batteries and then reset the error.
E50		Gas lock after 3 ignition attempts	Ignition not possible. The gas cylinder is empty. Replace the gas cylinder. Reset the error.

RML10.4T	RML10.4, RML 10.4S	Fault	Solution
E51	 	Gas lock, internal error in the power module	Reset the error. Contact customer service if this error occurs again.
E52	 	Ground contact, gas valve	Reset the error. Contact customer service if this error occurs again.
E53	 	Ground contact, ignition electrode	Reset the error. Contact customer service if this error occurs again.

Refrigerator door does not close (RML 10.4 and RML 10.4T only)



NOTE

If the door no longer closes, then the door handle is blocked on the opened side.

- Remove the door handle blockage as shown (fig. **16**, page 14).

Refrigerator door has completely detached from the device (RML 10.4 and RML 10.4T only)



CAUTION! Risk of injury

The door can completely detach from the device if the locking pins have been tampered with or are twisted.

- Insert the door as shown (fig. **17**, page 15).

8 Cleaning and maintenance



WARNING!

Always disconnect the refrigerator from the energy supply before cleaning and servicing it.



NOTICE!

When cleaning, never use sharp cleaning agents or hard or pointed tools to remove layers of ice or to loosen objects which have frozen in place.

- ▶ Clean the refrigerator regularly and when it gets dirty using a damp cloth.
- ▶ Make sure that no water drips into the seals. This can damage the electronics.
- ▶ Wipe the refrigerator dry with a cloth after cleaning.
- ▶ Check the condensate drain regularly.
Clean the condensate drain when necessary. If it is blocked, the condensate collects on the bottom of the refrigerator.
- ▶ Make sure that the ventilation grilles in the outer wall of the mobile home or caravan and the refrigerator roof ventilator are free from dust and pollutants. This ensures that the heat generated during operation can dissipate, the refrigerator is not damaged and the cooling capacity is not reduced.

8.1 Cleaning the gas burner



WARNING!

- Allow the burner to cool down before cleaning it.
- Do not modify the gas equipment.



NOTE

- Dirt in the gas burner is indicated by poor ignition or deflagrations.
- The manufacturer also recommends cleaning the burner after it has not been used for an extended period, and at least once a year.
- When using liquefied petroleum gas, the cleaning interval is reduced to half yearly or quarterly, depending on the level of dirt.

- ▶ Proceed as shown (fig. **18**, page 16).

8.2 Maintenance



WARNING!

Work on gas and electrical installations may only be performed by qualified technicians.

- ▶ Have the gas system and connected flues inspected before starting up the device for the first time, and by an authorized professional every two years to ensure they comply with the national safety requirements.
- ▶ Keep a record of any maintenance performed.

9 Warranty

The statutory warranty period applies. If the product is defective, please contact the manufacturer's branch in your country (see dometic.com/dealer) or your retailer.

For repair and warranty processing, please include the following documents when you send in the device:

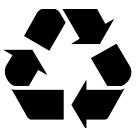
- A copy of the receipt with purchasing date
- A reason for the claim or description of the fault

10 Disposal



NOTE


This device contains flammable insulation blowing gas.
Only have the device removed and disposed of by a specialist.



Protect the environment!

Do not dispose of any batteries with general household waste.
Return defective or used batteries to your retailer or dispose of them at collection points.

11 Technical data

	RML10.4	RML10.4S	RML10.4T
Connection voltage:	230 V~ /50 Hz 12 V===		
Capacity			
Gross capacity:	133 l		
Refrigerator compartment:	116 l		
Freezer compartment:	12 l		
Total net capacity:	128 l		
Excluding freezer compartment			
Gross capacity:	139 l		
Net capacity:	134 l		
Power consumption:	170 W (230 V~) 170 W (12 V===)		
Energy consumption:	3.2 kWh/24 h (230 V~) 340 Ah/24 h (12 V===)		
Gas consumption:	380 g/24 h		
Climate class:	SN		
Dimensions H x W x D:	1293 x 420 x 578 mm		
Weight:	35 kg	32 kg	35.5 kg
Inspection/certification:			

For the current EU declaration of conformity for your device please refer to the respective product page on dometic.com or contact the manufacturer directly (see dometic.com/dealer).

dometic.com

**YOUR LOCAL
DEALER**

dometic.com/dealer

**YOUR LOCAL
SUPPORT**

dometic.com/contact

**YOUR LOCAL
SALES OFFICE**

dometic.com/sales-offices
